

8

7

6

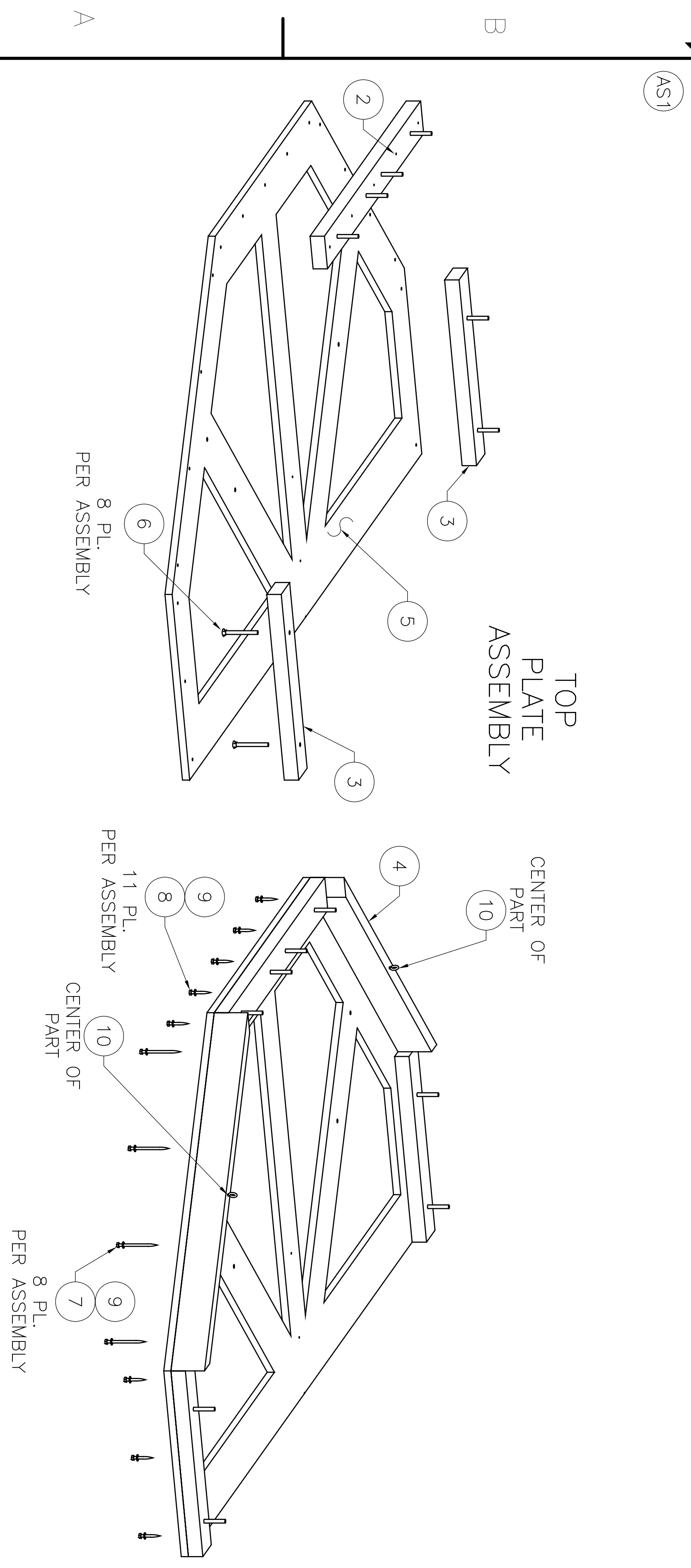
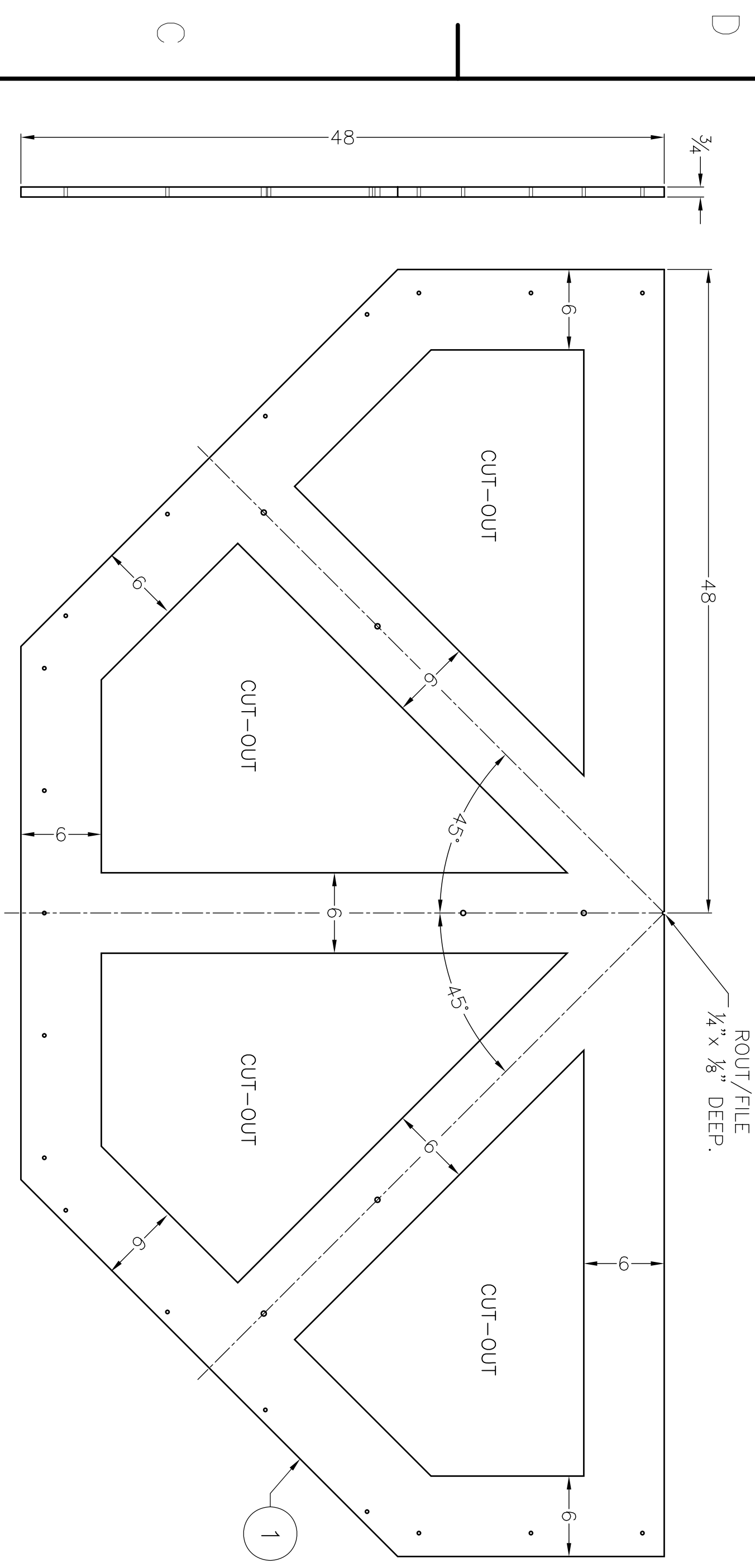
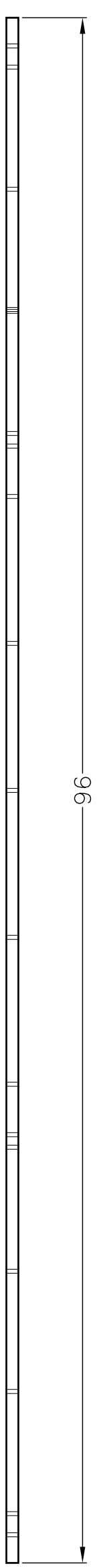
5

4

3

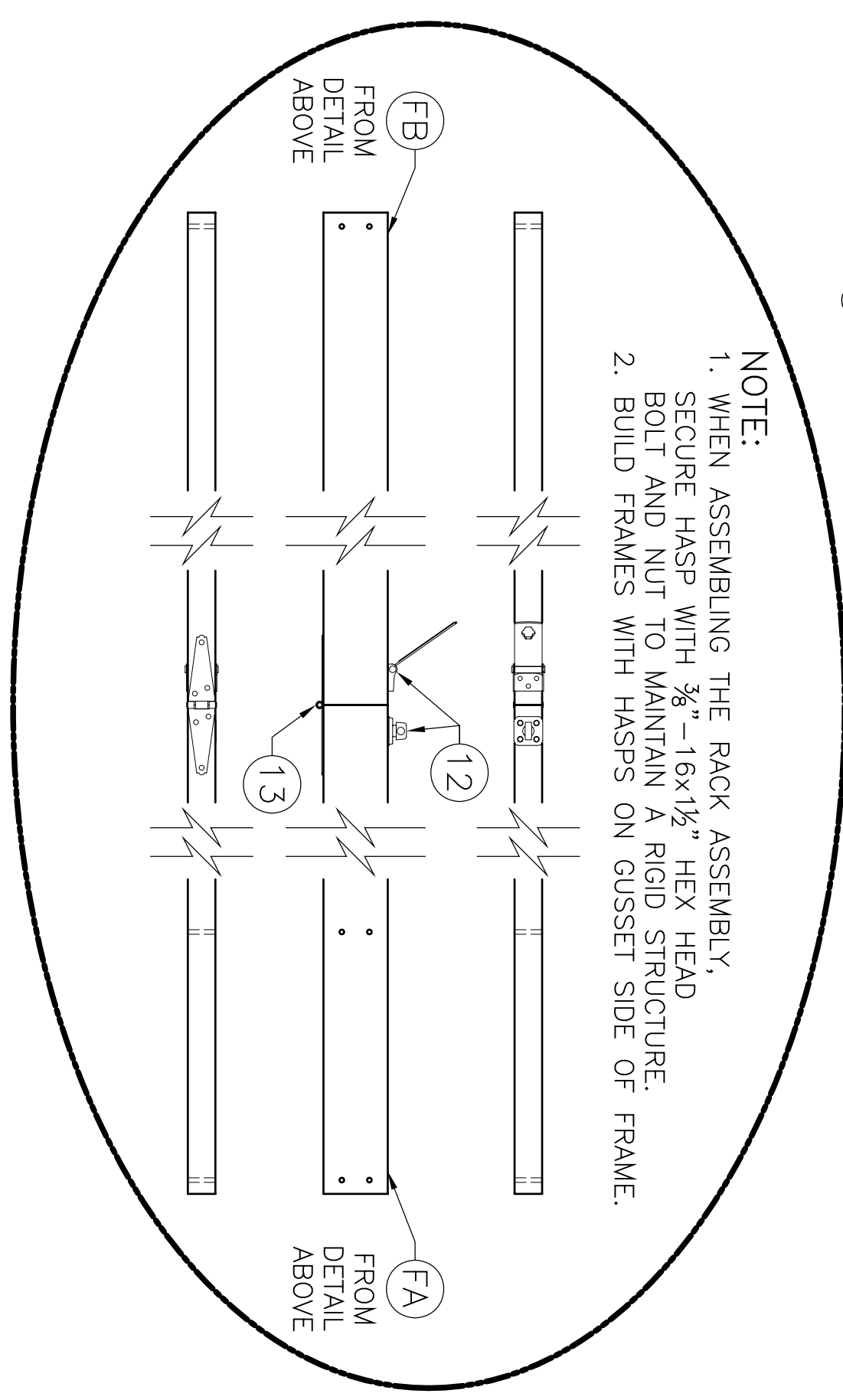
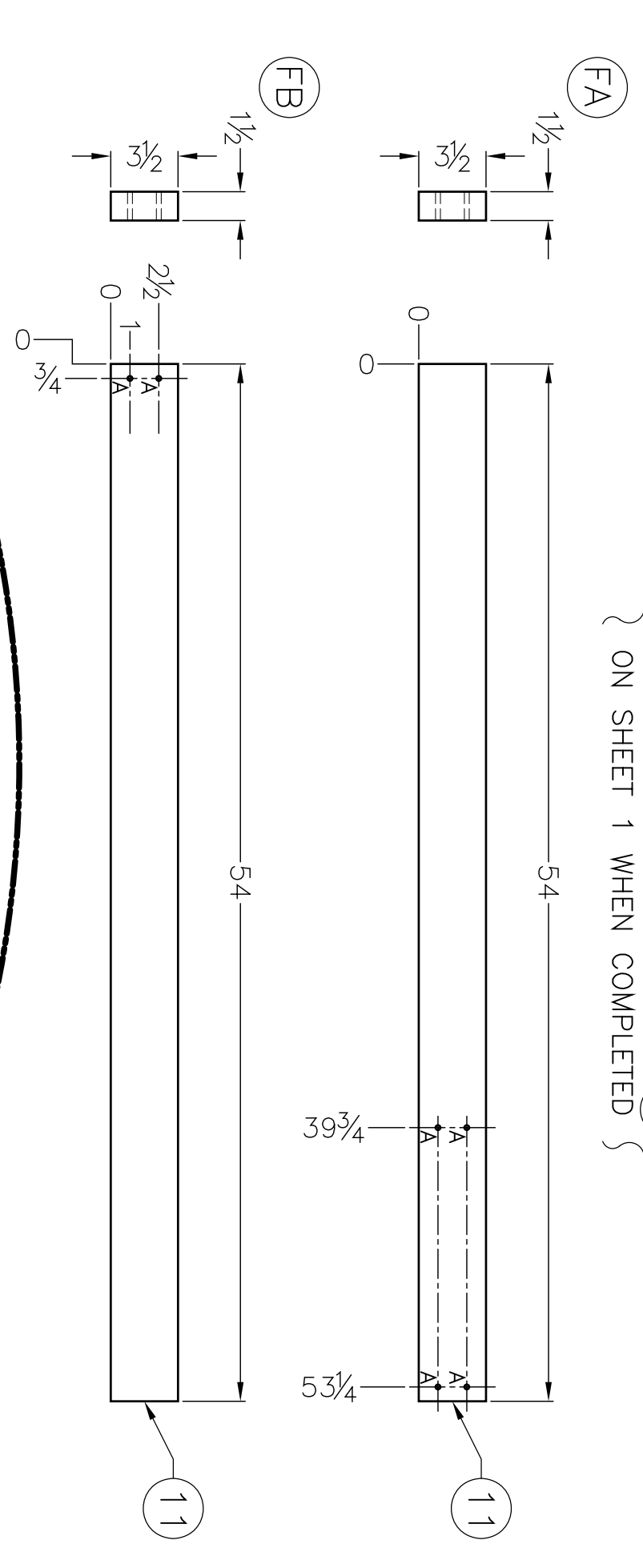
2

1



ITEM	QTY.	DESCRIPTION	VENDOR	REMARKS
1	1	MOUNTING PLATE	T01-0001(1)-K	
2	1	FULL FRAME BASE	T01-0001(1)-D	
3	2	HALF FRAME BASE	T01-0001(1)-E	
4	2	BASE RAIL	T01-0001(1)-C	
5	1	MOUNTING PLATE MOD	T01-0001(2)-KM	
6	8	3/8-16x3/8" CARRIAGE BOLT		
7	8	1/4x3/8" HEX HEAD LAG BOLT		
8	11	1/4x2" HEX HEAD LAG BOLT		
9	AR	FLAT WASHER, SAE 1/4"		
10	2	SCREW, WIRE EYE, 7/32x1/4" THD.	McMaster	9496T22
11	AR	2"x4" SPF LUMBER		
12	1	HASP, 4 1/2" STANLEY LIFESPAN	Home Depot	81-1910
13	1	HINGE, 4" STANLEY STRAPHINGE	Home Depot	14-1270

THESE PARTS BECOME PART (F) ON SHEET 1 WHEN COMPLETED



NOTE:
 1. WHEN ASSEMBLING THE RACK ASSEMBLY, SECURE HASP WITH 3/8" - 16x1 1/2" HEX HEAD BOLT AND NUT TO MAINTAIN A RIGID STRUCTURE.
 2. BUILD FRAMES WITH HASPS ON GUSSET SIDE OF FRAME.

FIRST
 200 Bedford Street, Manchester, N.H. 03101
 (603) 666-3906 • FAX (603) 666-3907

2007 WOOD FIELD ELEMENTS RACK FAB / ASS'Y

ENGINEER	DATE	TITLE
DRAWN	DATE	
CHECKED	DATE	
APPROVED	DATE	
ISSUED	DATE	

DRAWING NO. T07-0001
 SCALE NA
 SHEET 2 of 2

8

7

6

5

4

3

2

1