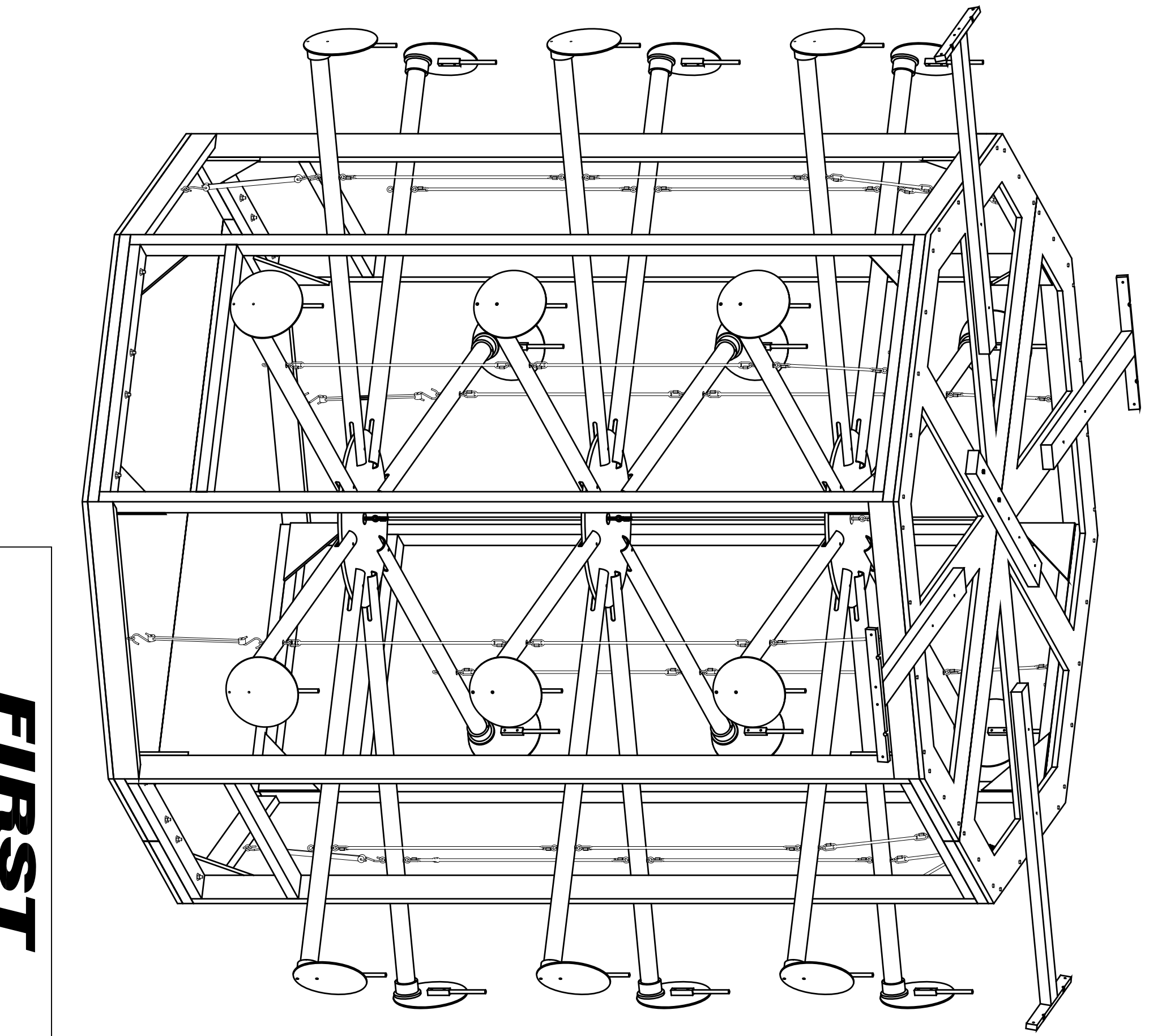
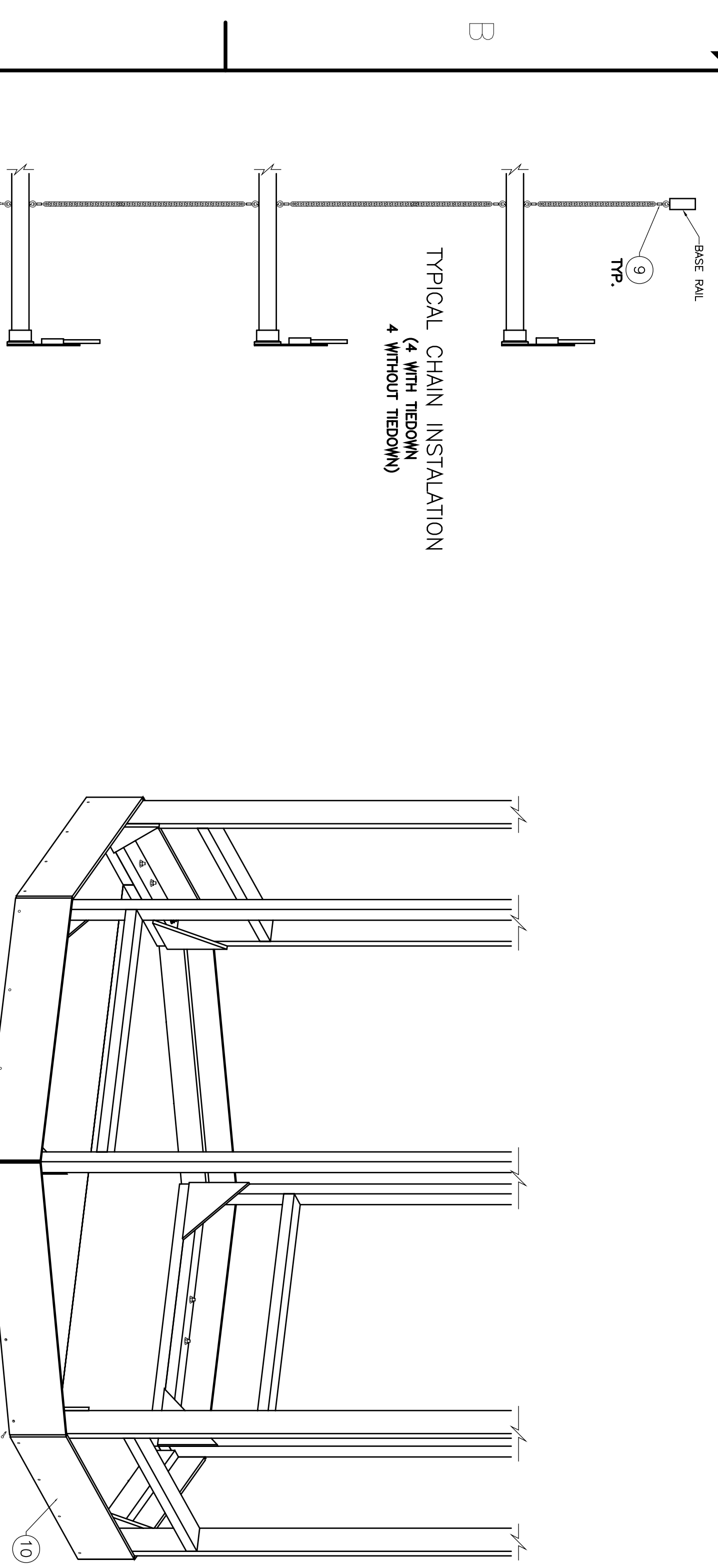
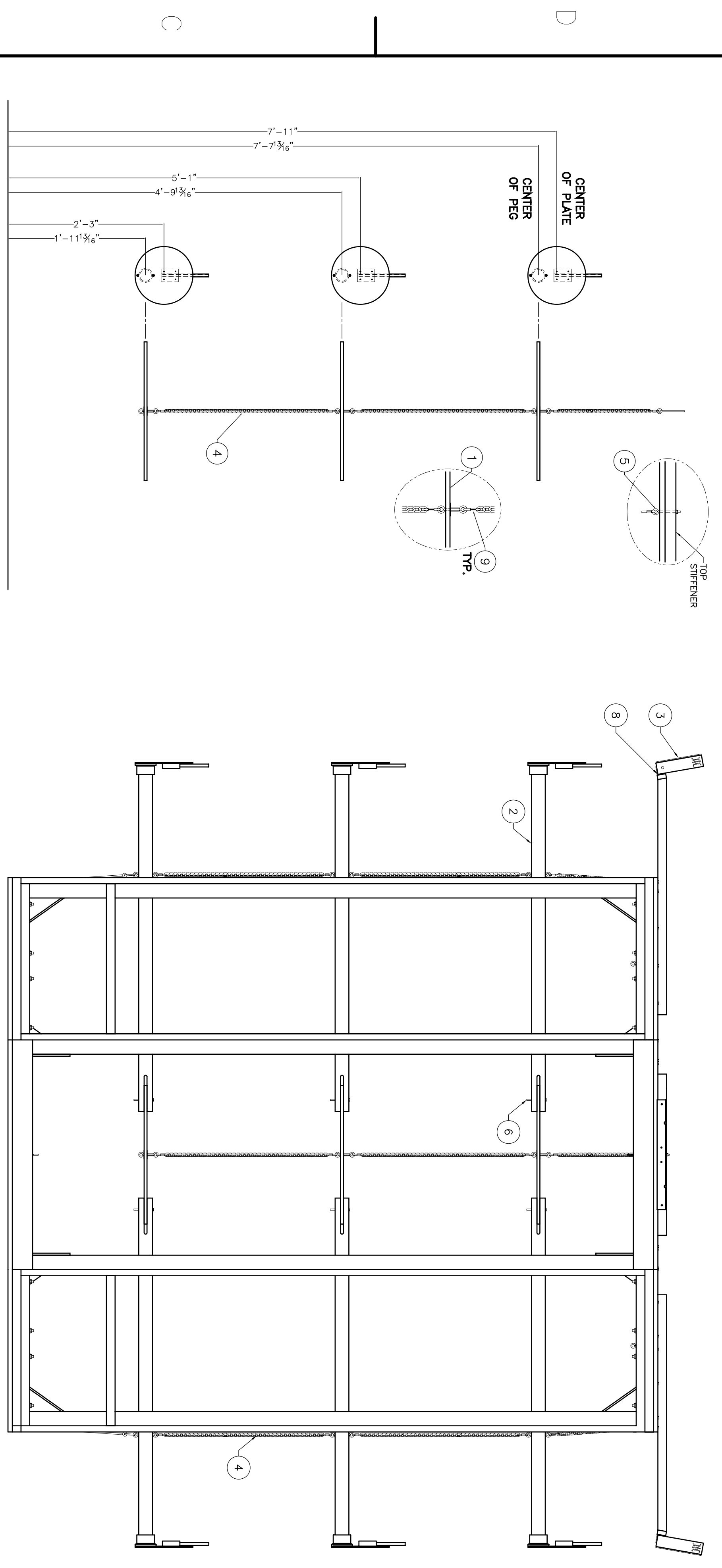


8 7 6 5 4 3 2 1



ZONE	REV	DESCRIPTION	REVISIONS	DATE	APPROVED
	1	CORRECTED RELIANT IN PARTS LIST, ITEMS 1, 2, 3, 4		12/29/08	
	2	CORRECTED DIMENSIONS ON DETAIL AT C-8-D-8		12/29/08	
	3	CHANGED PARTS LIST ITEM 7 FROM 1/2" TO 1/4" (3891114) STRAP		12/29/08	
	4	CHANGED PARTS LIST ITEM 7 FROM 1/2" TO 1/4" (3891114) STRAP		12/29/08	
	5	CHANGED PARTS LIST ITEM 7 DESCRIPTION FROM 1/2" TO 1/4"		01/02/09	

ITEM	QTY.	DESCRIPTION	VENDOR	REMARKS
1	3	PEG MOUNTING DISK ASSEMBLY		T07-0002-AS4
2	24	PEG ASSEMBLY		T07-0002-AS6
3	4	VISION TARGET LIGHT ASSEMBLY		T07-0202
4	70	2/0 TWIST LINK MACHINE CHAIN	COOPER	0322014
5	1	EYE BOLT, 1/2"-20x 4" THD	McMaster	9489123
6	24	HEX HEAD BOLT, 1/2"-20x3 1/2"		
7	4	RUBBER TIEDOWN STRAP (14")	McMaster	3891114
8	8	LAG BOLT, 1/2" x 3/4"		
9	54	THREADED CHAIN CONNECTOR	McMaster	8947115
10	8	BUMPER PLATE		T07-0001-X
11	32	#10x2" DECKING SCREWS		

ENGINEER	DATE	TITLE
DRAWN	DATE	
CHECKED	DATE	
APPROVED	DATE	
ISSUED	DATE	

FIRST
 200 Bedford Street, Manchester, N.H. 03101
 (603) 666-3906 • FAX (603) 666-3907

2007 WOOD FIELD ELEMENTS RACK ASSEMBLY

DRAWING NO.	TO7-0003
SCALE	NA
SHEET	2 of 2