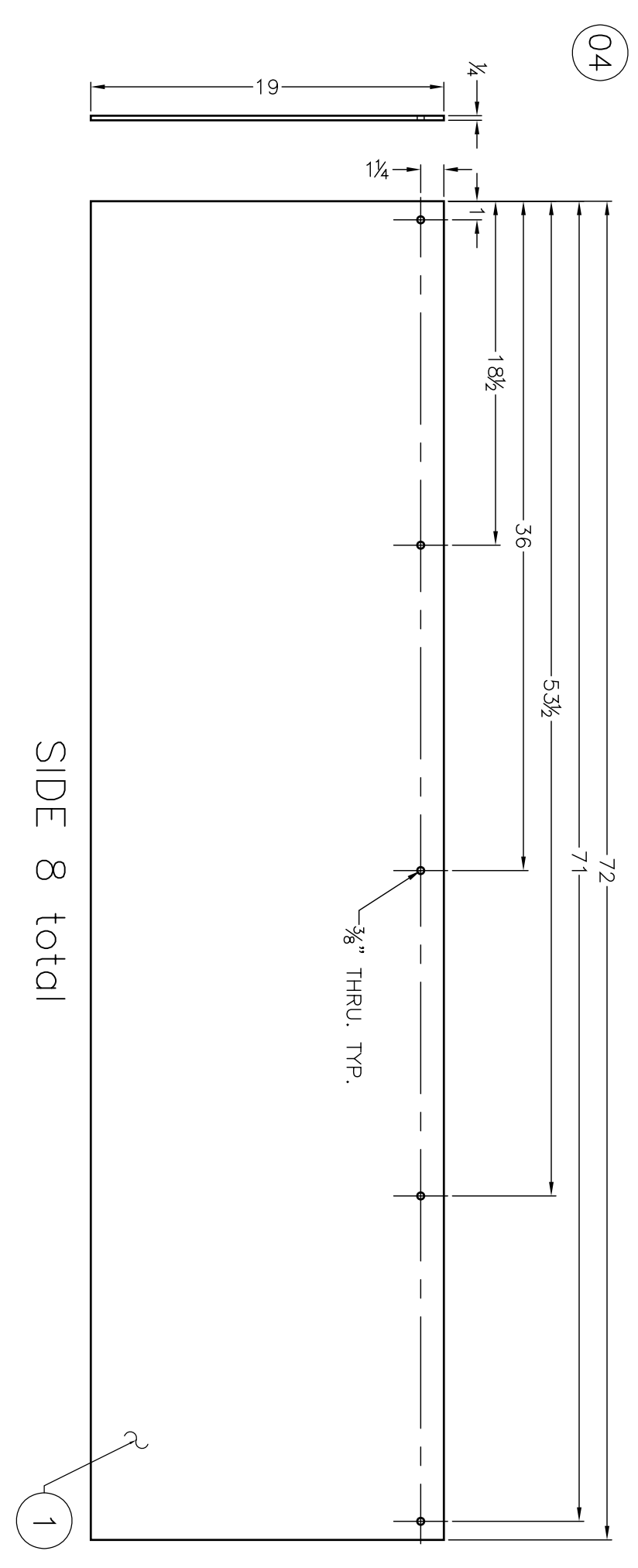
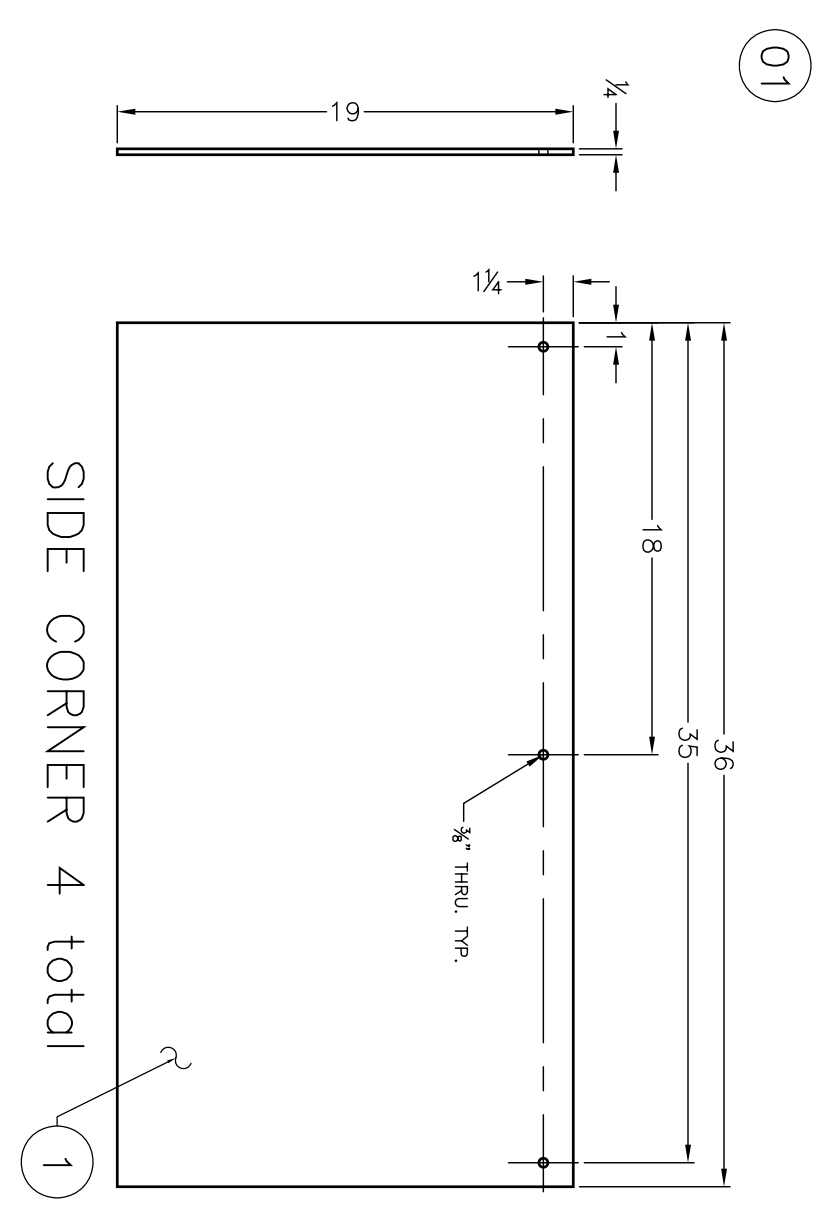


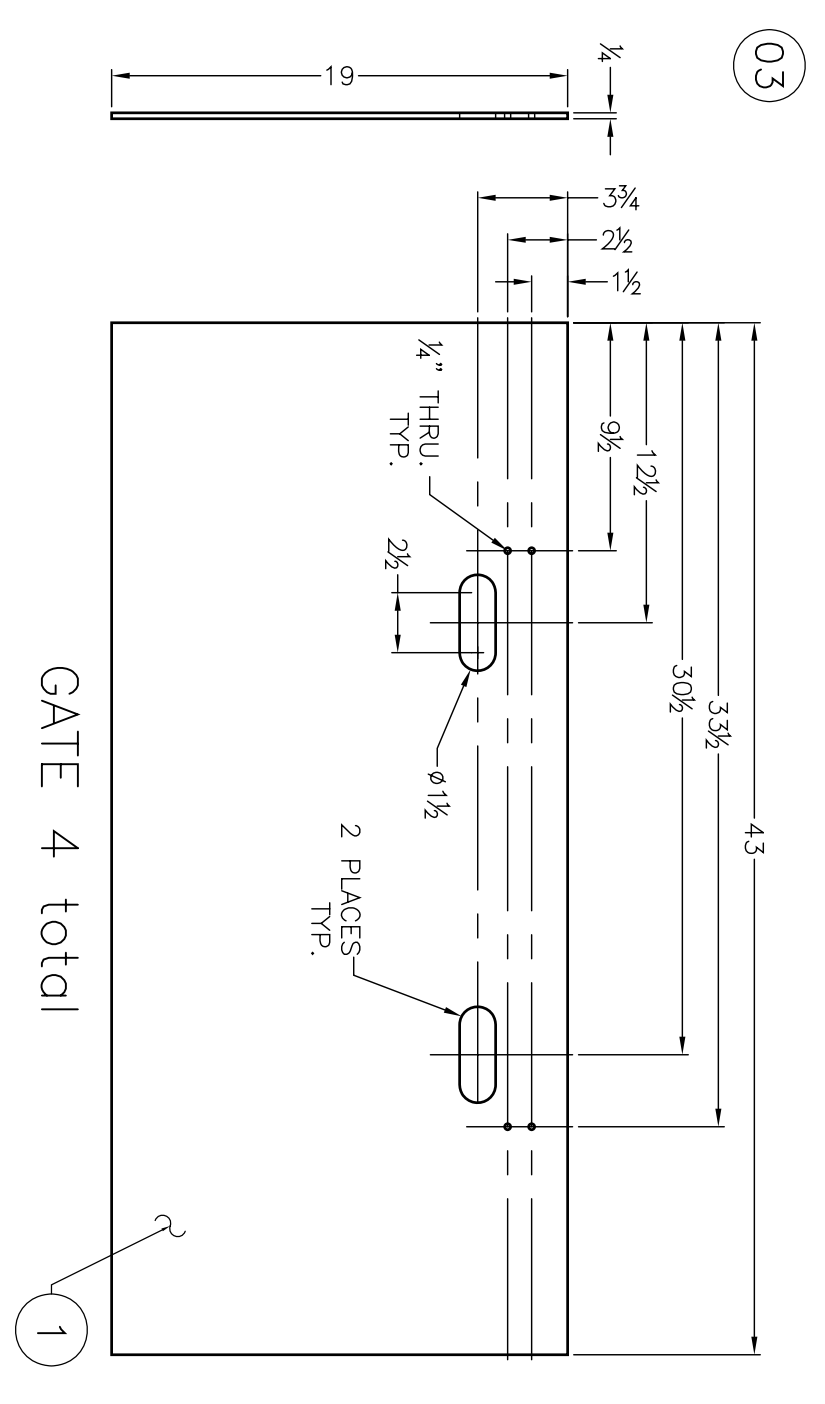
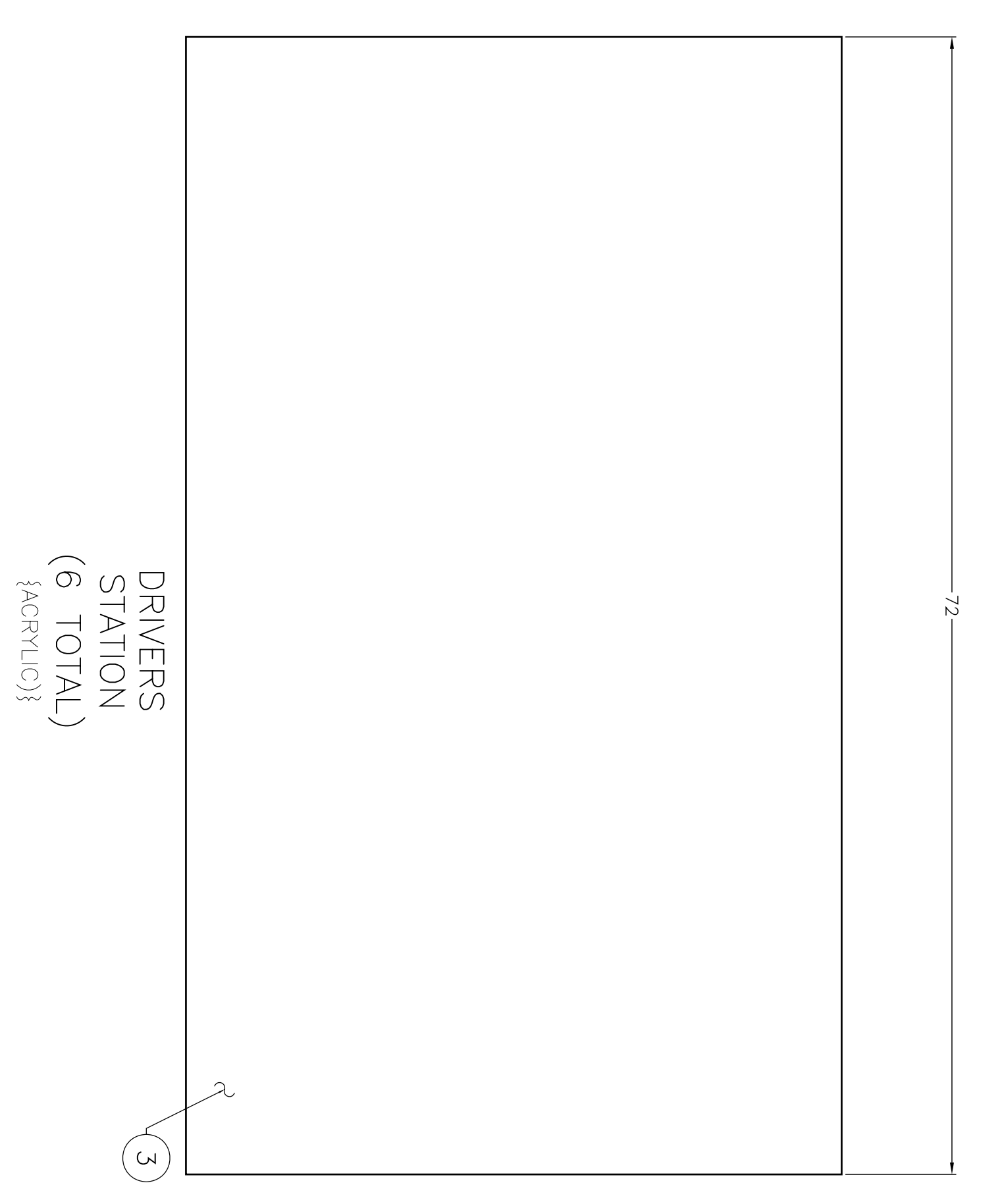
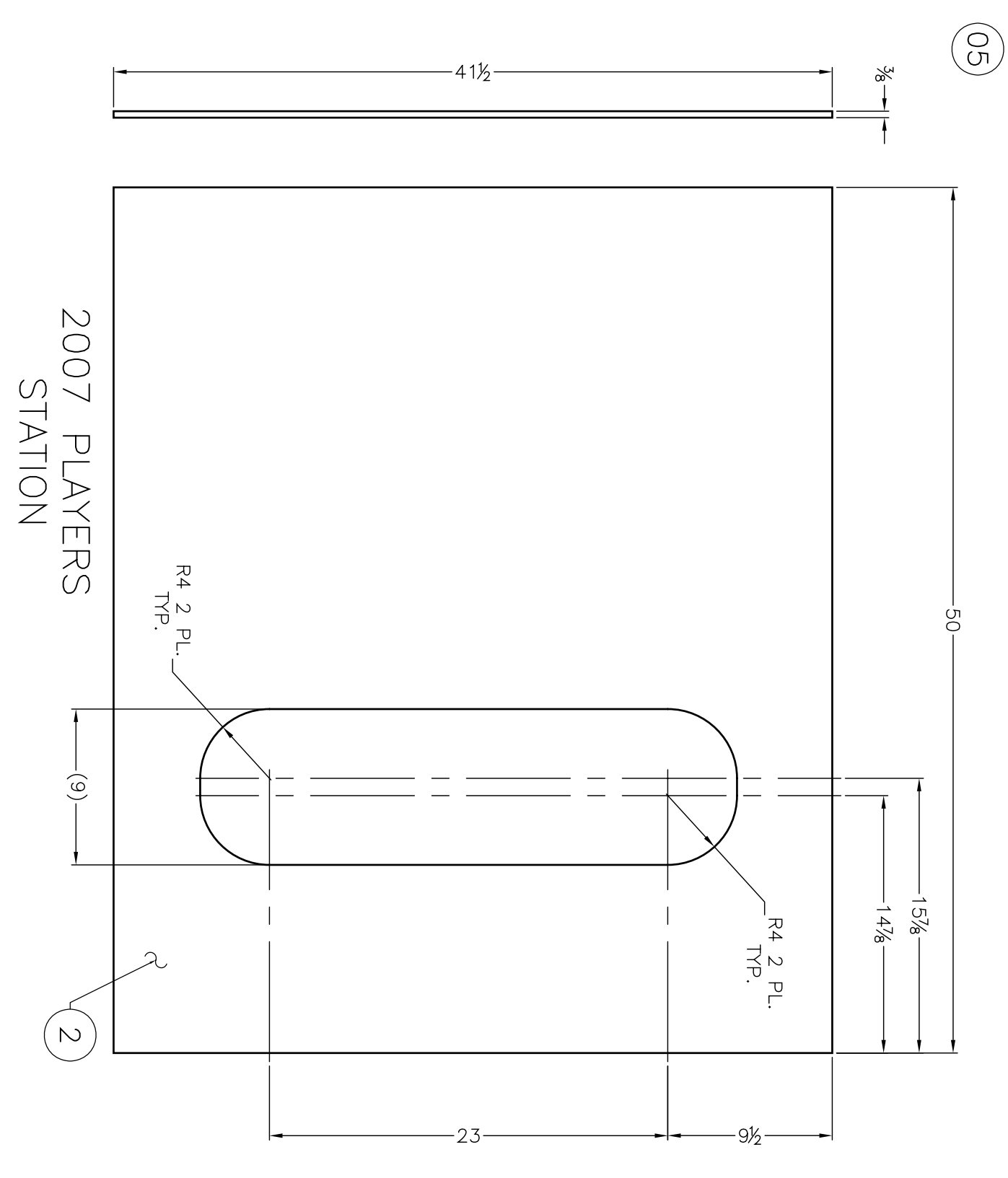
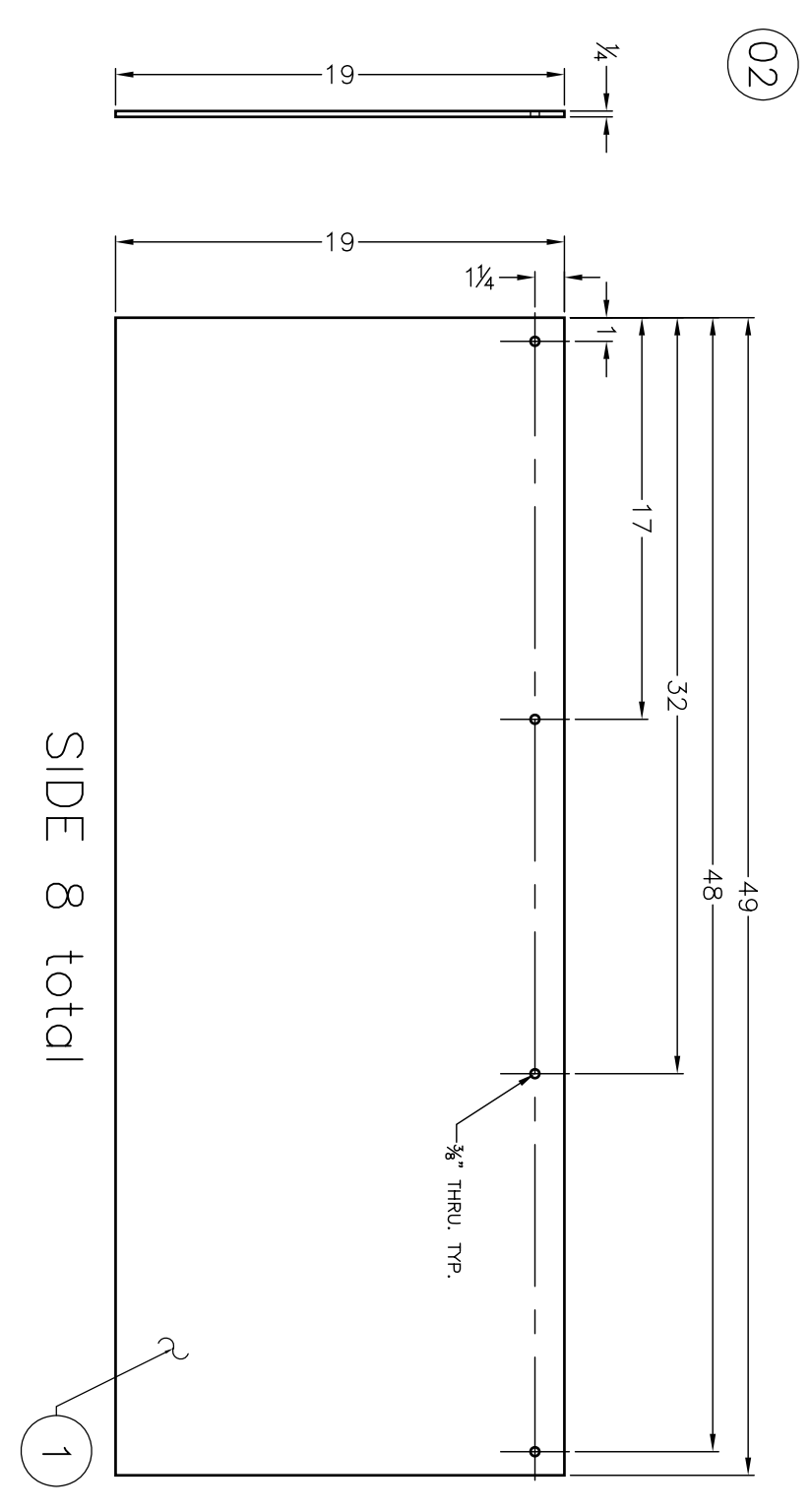
8 7 6 5 4 3 2 1



ZONE	REV	DESCRIPTION	DATE	APPROVED
	1	ADDED DRIVER STATION ACRYLIC SHEET	12/09/08	
	2	CHANGED TITLE FROM "PLASTIC" TO "PLASTIC"	12/28/08	
	3	ADDED REFERENCE 06 TO "DRIVER STATION" PART	12/28/08	

ITEM	QTY.	DESCRIPTION	LENGTH	PART NO.
1	AR	1/4" POLYCARBONATE SHEET	-	-
2	AR	3/8" POLYCARBONATE SHEET	-	-
3	AR	3/8" ACRYLIC SHEET	-	-



8 7 6 5 4 3 2 1

REV	DATE	DESCRIPTION
3	JPR 12/08	In-HOUSE
2	JPR 12/08	In-HOUSE
1	JPR 12/08	In-HOUSE

UNLESS OTHERWISE SPECIFIED	
TOLERANCE PERPENDICULAR WITHIN	
FINISH	
FRAC 1/16 FLAT OR STRAIGHT	
UNLESS OTHERWISE SPECIFIED	
FINISH	
FRAC 1/16 FLAT OR STRAIGHT	
UNLESS OTHERWISE SPECIFIED	
FINISH	
FRAC 1/16 FLAT OR STRAIGHT	

TITLE	2007 PLASTIC PANEL FABRICATION
DRAWN BY	JPR
DATE	10/19/06
SCALE	NONE
CHECKED	
DATE	
SHEET NO.	1

<b>FIRST</b>
200 Bedford Street, Manchester, N.H. 03101
(603) 666-3906 • FAX (603) 666-3907
NO. F05-0012