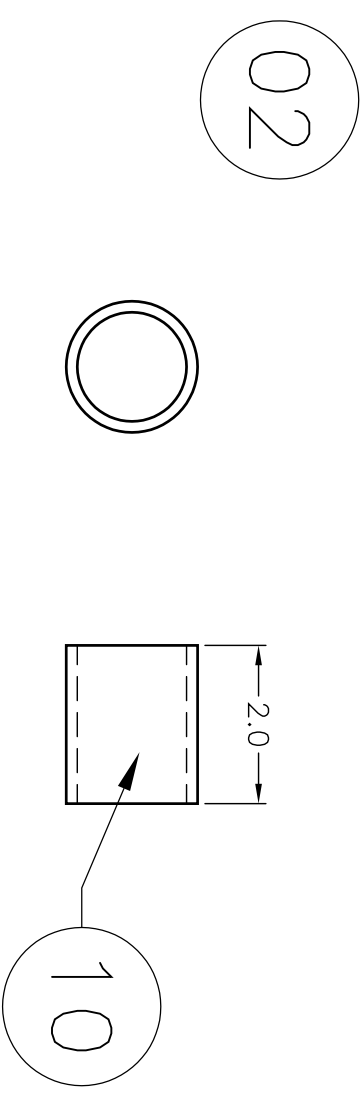
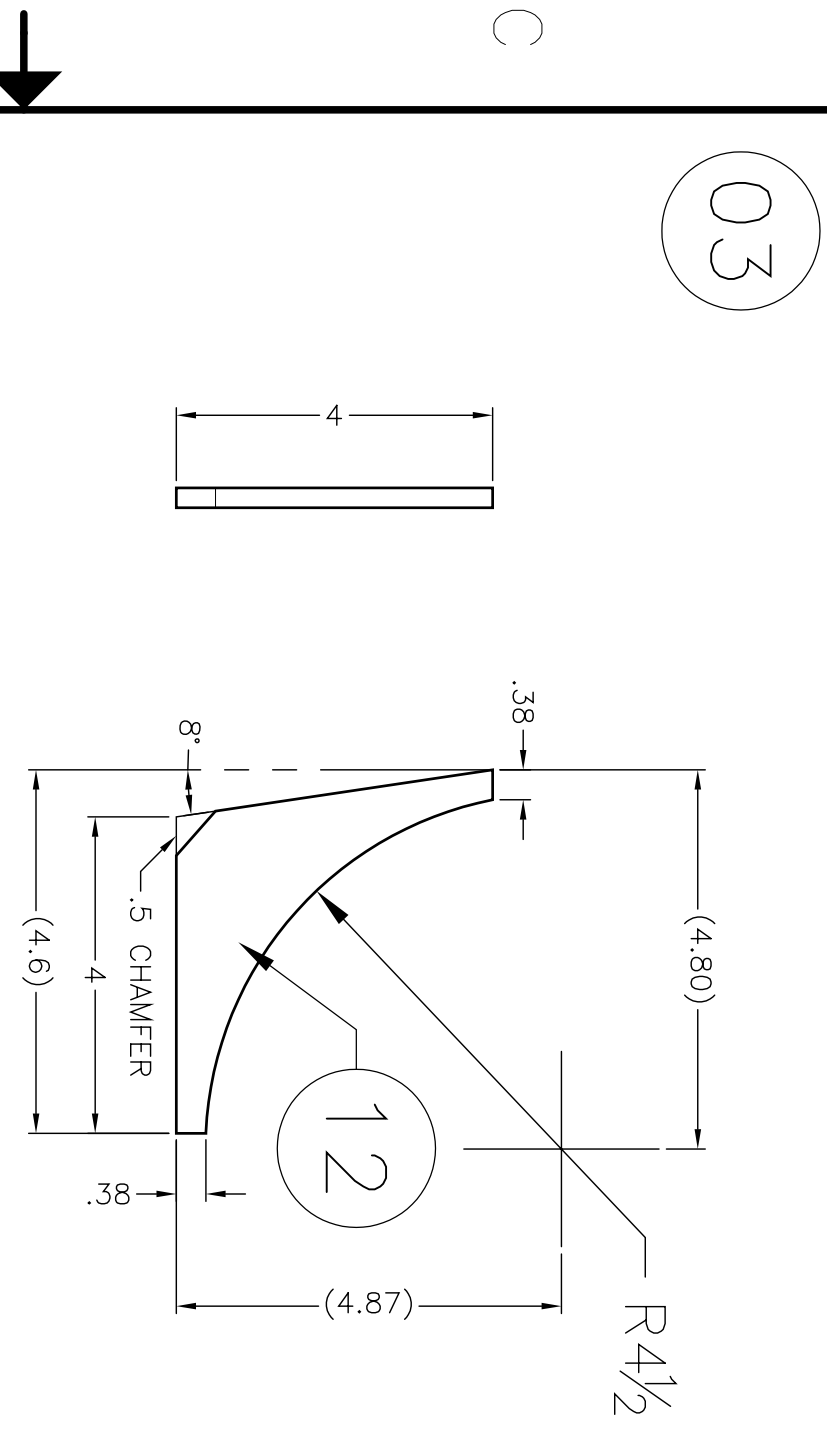


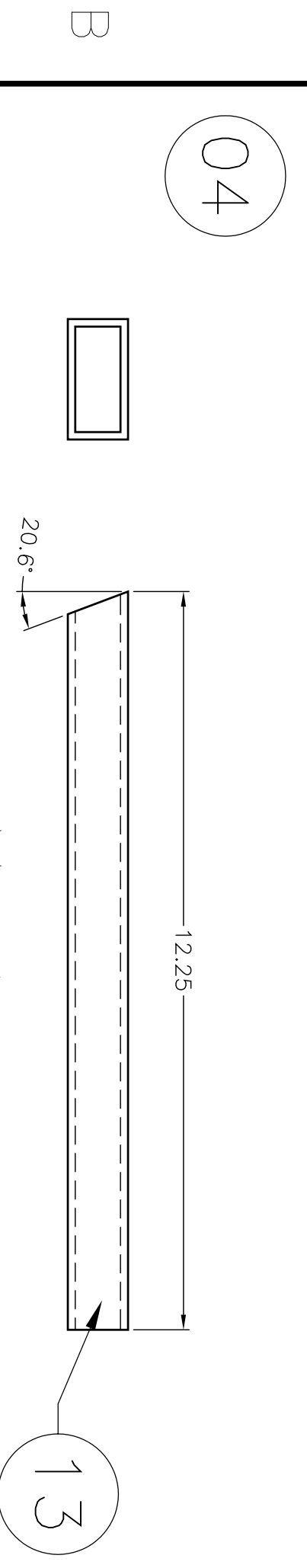
RAIL CRADLE



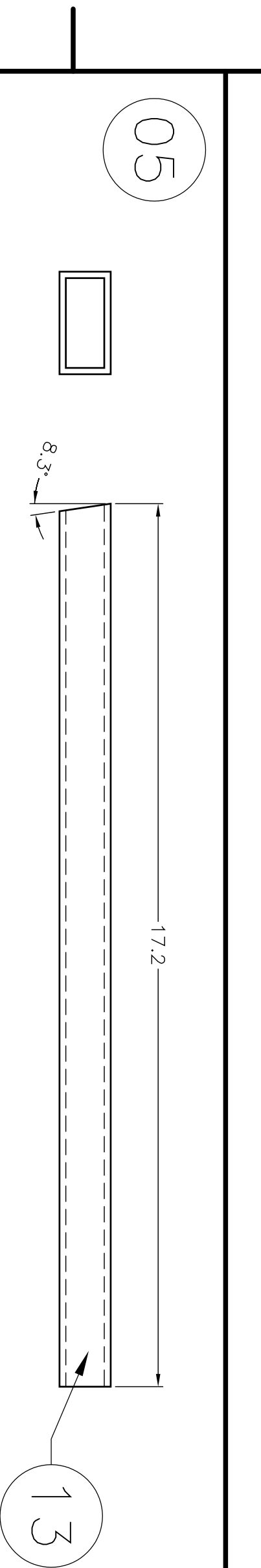
BOTTOM COUPLING



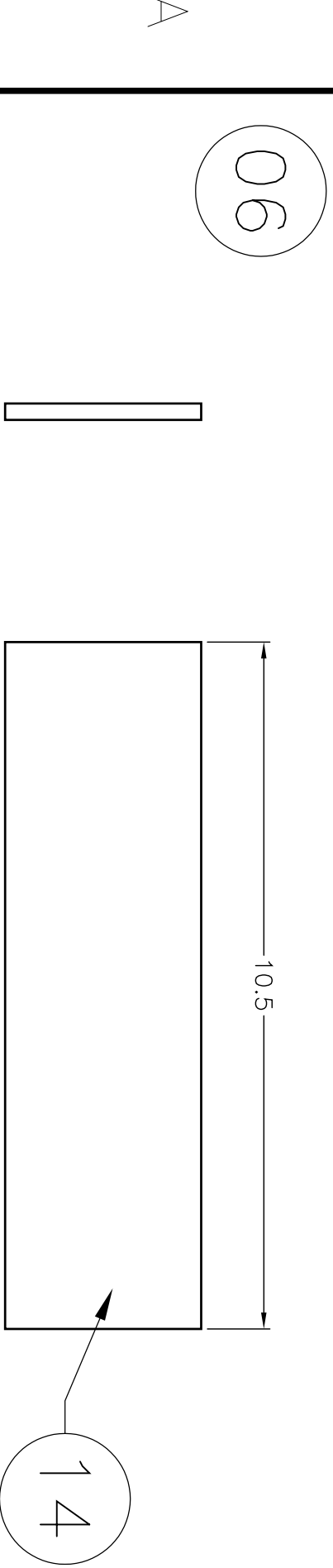
GUSSETT



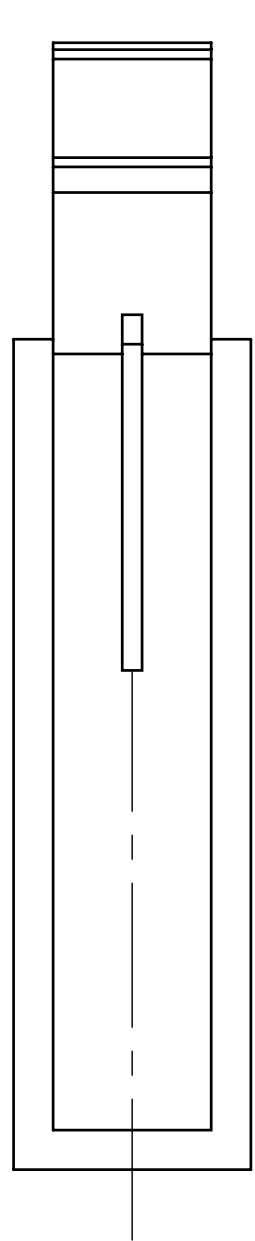
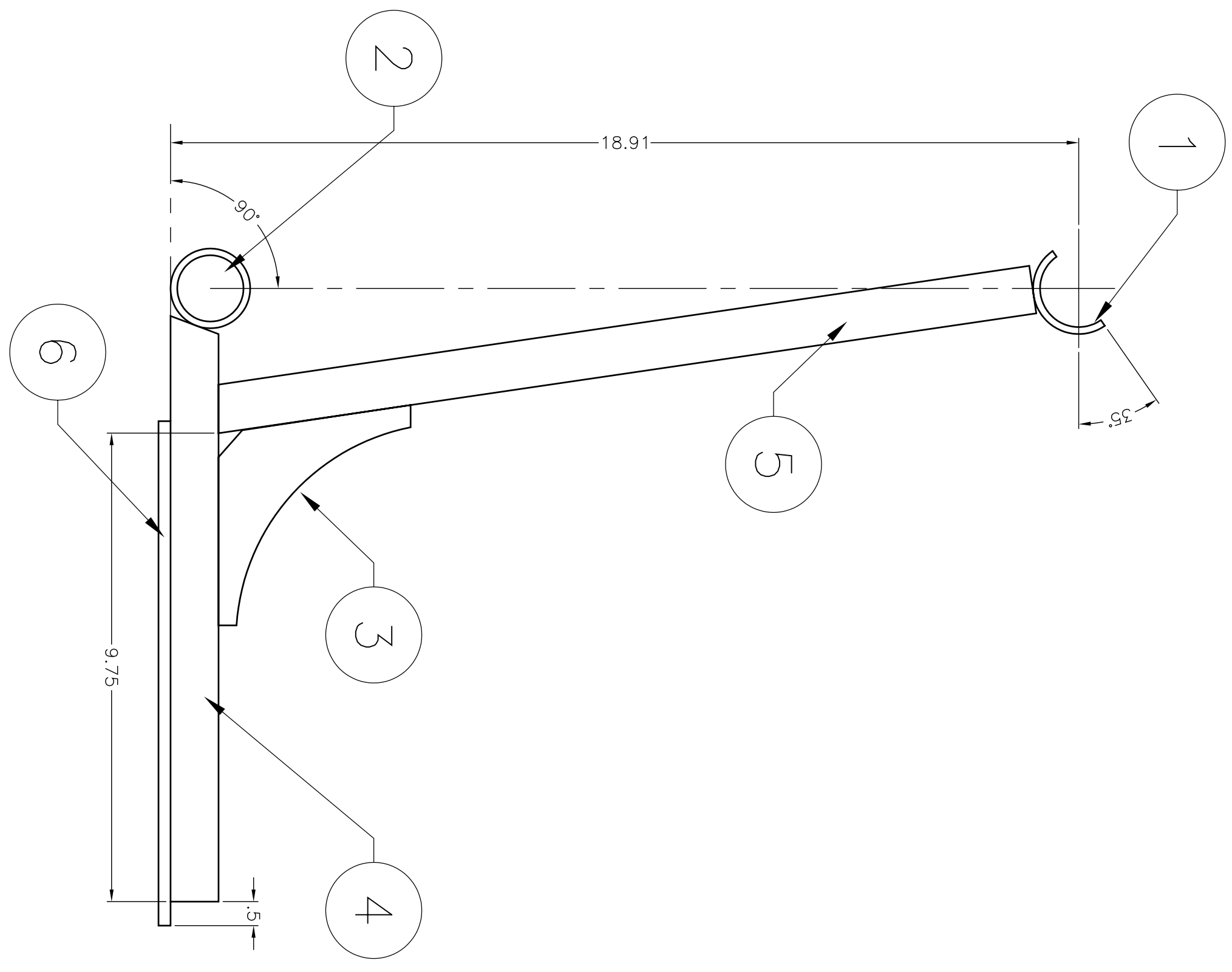
MOUNT



SUPPORT



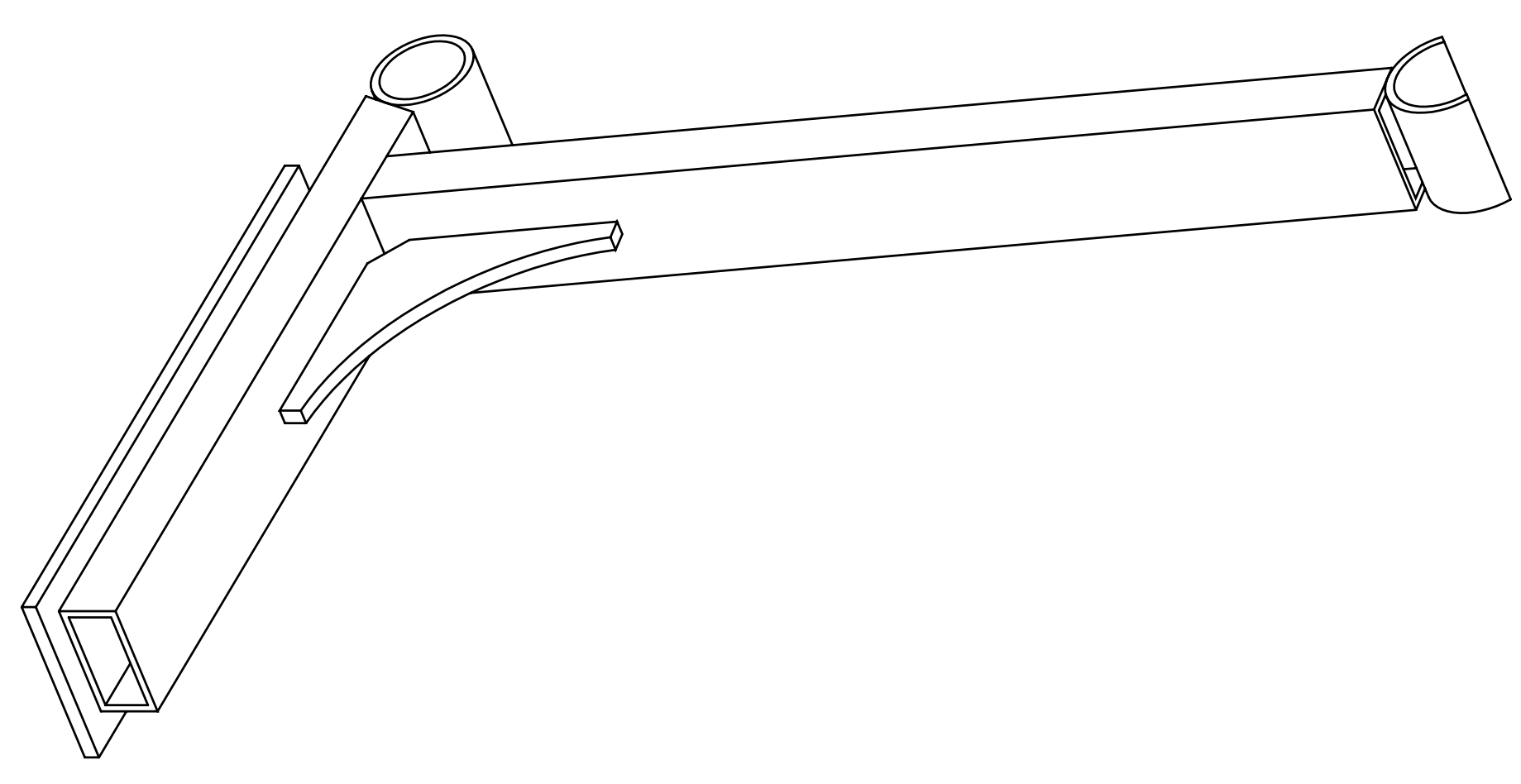
BOTTOM PLATE



ZONE	REV	DESCRIPTION	DATE	APPROVED
1	FOR USER-USE		6/29/06	
2	CORRECTED MATERIAL REFERENCE	REF 01, 02	1/19/08	

ITEM	QTY.	DESCRIPTION	LENGTH	PART NO.
1	1	RAIL CRADLE	.	F05-0013-01
2	1	BOTTOM COUPLING	.	F05-0013-02
3	1	GUSSETT	.	F05-0013-03
4	1	MOUNT	.	F05-0013-04
5	1	SUPPORT	.	F05-0013-05
6	1	BOTTOM PLATE	.	F05-0013-06
.	.	.	.	.
.	.	.	.	.
10	AR	1 1/2" SCH. 40 STR. PIPE 6061-16 ALUM.	.	.
11	AR	1 1/2" SCH. 40 STR. PIPE 6061-16 ALUM.	.	.
12	AR	4 3/4" 6061 ALUMINUM PLATE	.	.
13	AR	1 "x2 "x1/8" 6061-16 ALUM TUBE.	.	.
14	AR	3 "x1/2" 6063 ALUMINUM PLATE	.	.



NOTE:  
REMOVE ALL SHARP EDGES.

TITLE	DATE	SCALE	CHECKED	DATE
FABRICATION AND ASSEMBLY	01/14/05	NONE		

REVISIONS	DATE	APPROVED
1	6/29/06	
2	1/19/08	

REVISIONS	DATE	APPROVED
1	6/29/06	
2	1/19/08	

REVISIONS	DATE	APPROVED
1	6/29/06	
2	1/19/08	

REVISIONS	DATE	APPROVED
1	6/29/06	
2	1/19/08	

**FIRST**

200 Bedford Street, Manchester, N.H. 03101  
(603) 666-3906 • FAX (603) 666-3907

OUTRIGGER  
FABRICATION AND ASSEMBLY

DATE: 01/14/05  
SCALE: NONE  
CHECKED: JRR  
SHEET NO. 1