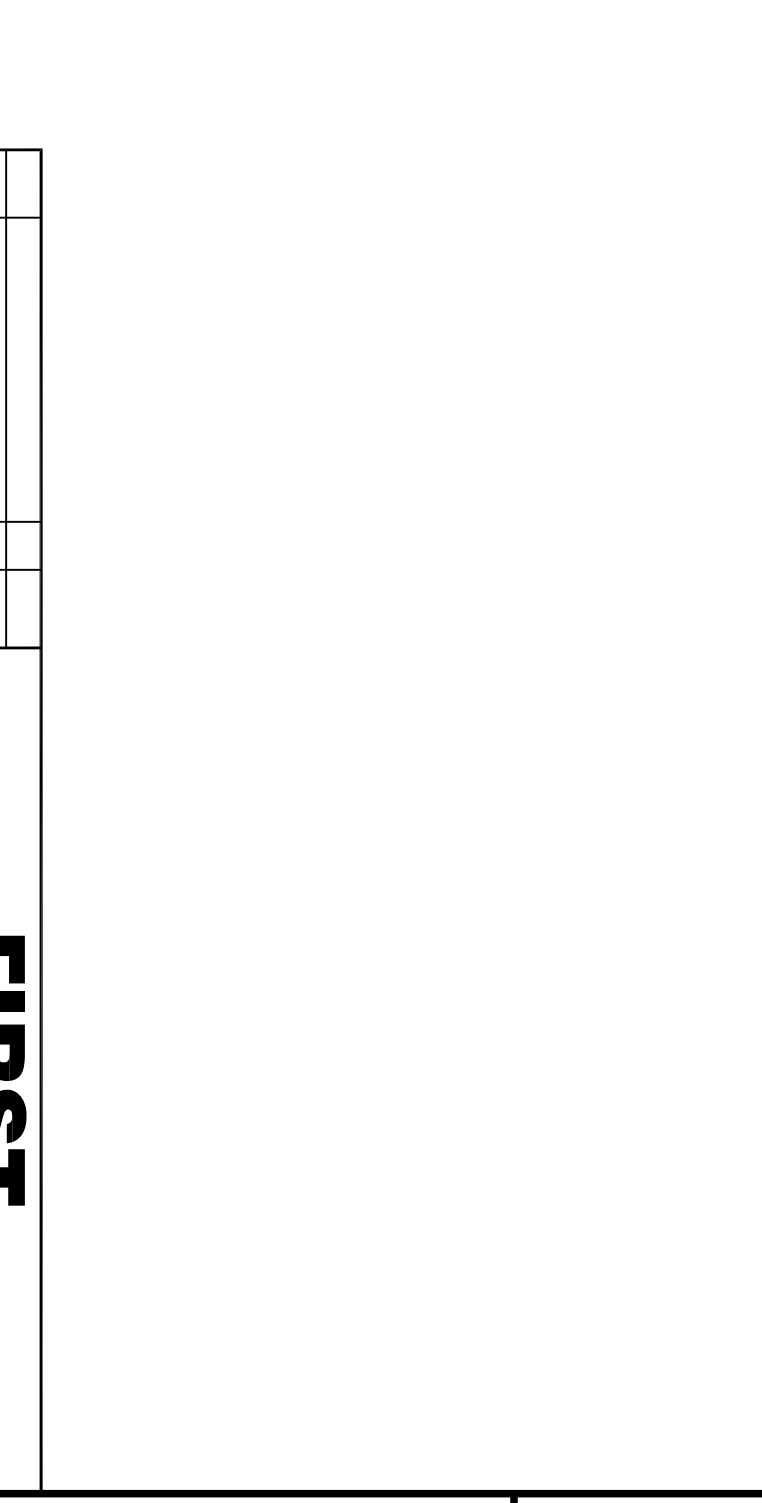
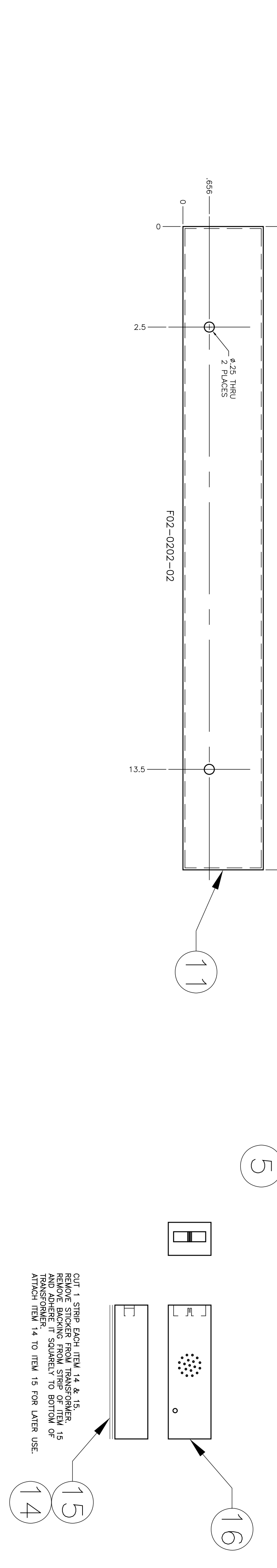
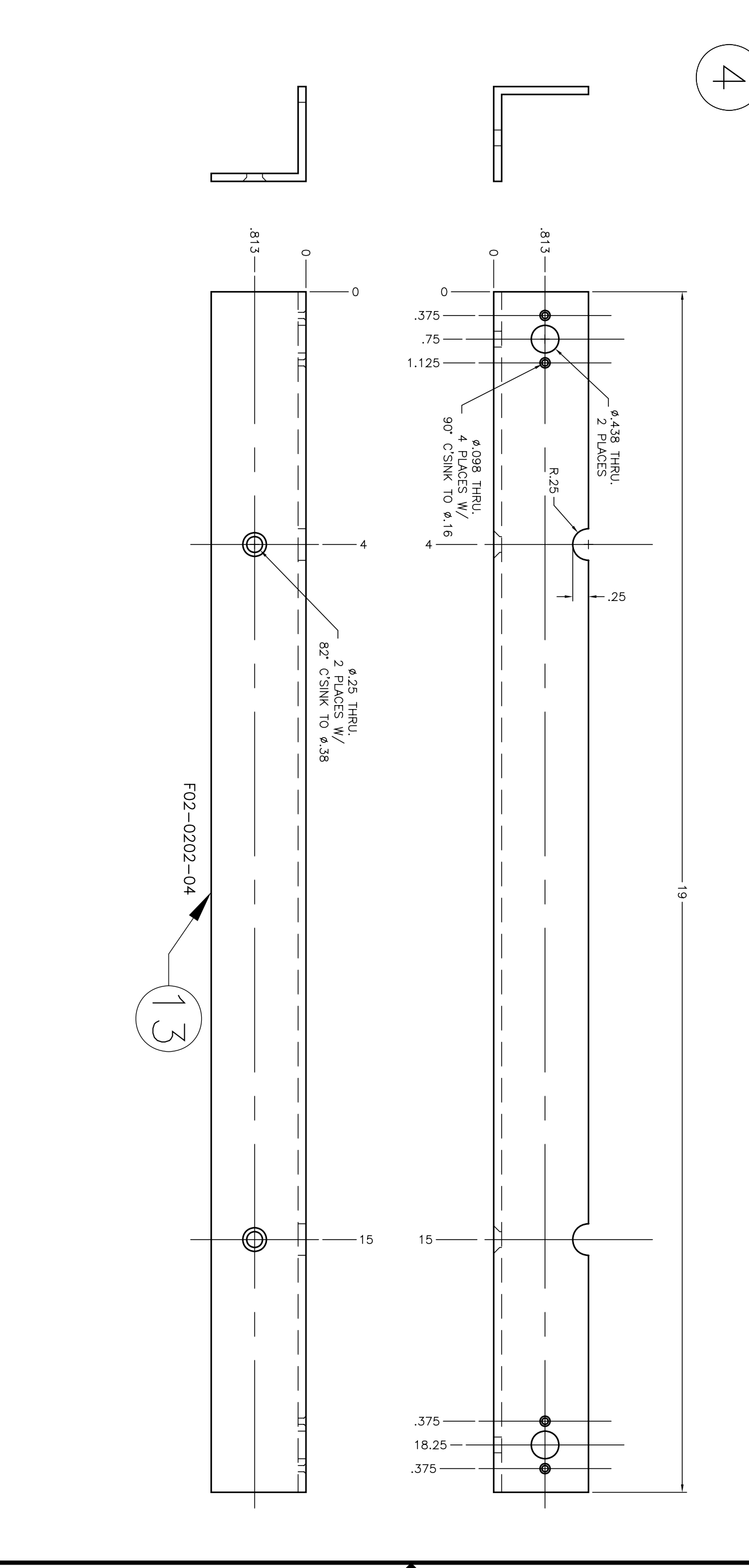
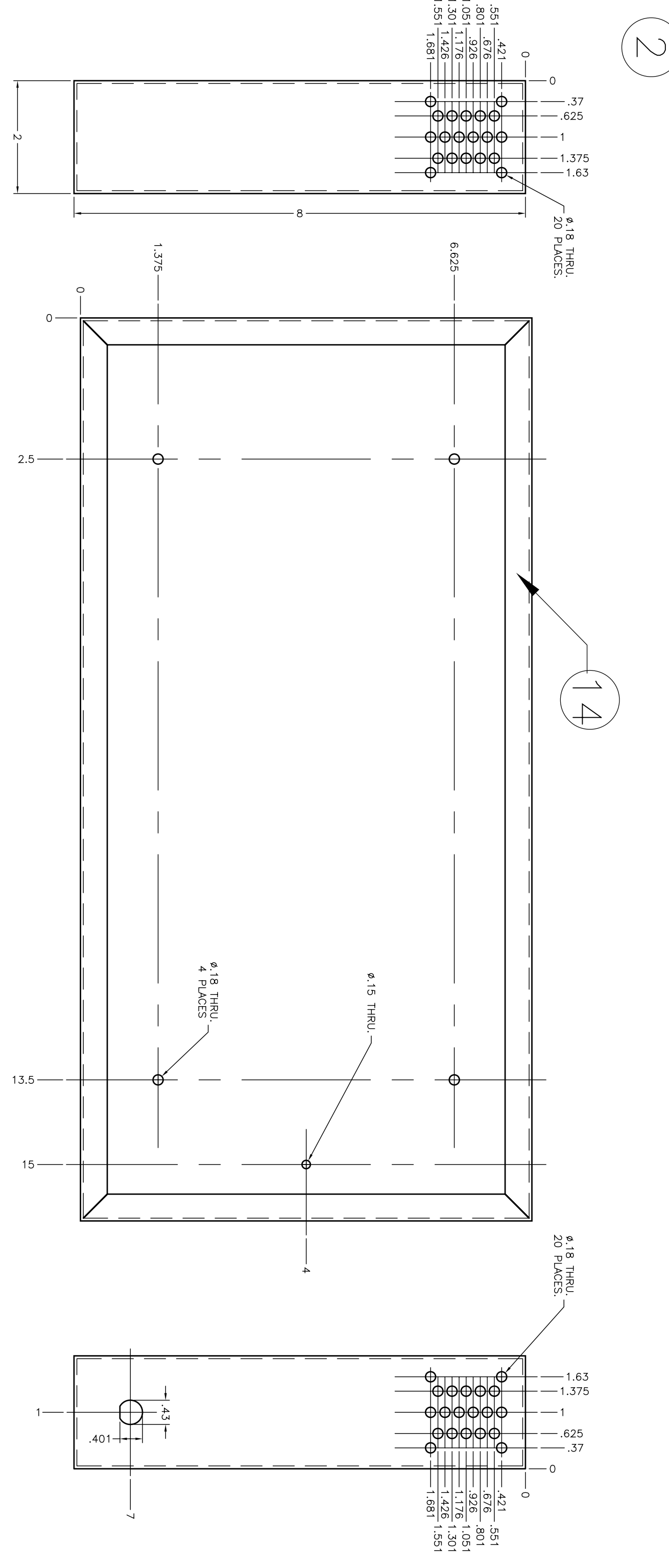


ITEM	QTY.	DESCRIPTION	LENGTH	PART NO.
10	AR	1/8" HDPE SHEET, NATURAL	-	-
11	AR	ALUM CHASSIS 8"x16"x2" (HAMMOND)	-	1444-26
12	AR	ALUMINUM EXTRUSION, (TCH)	-	507-3035806
13	AR	ALUMINUM ANGLE, 1/2"x1/2"x3/8"	-	-
14	AR	1" VELCRO, HOOK	-	-
15	AR	1" VELCRO, LOOP	-	-
16	4	CCFL TRANSFORMER	-	-



CUT 1 STRIP FROM ITEM 14 & 15  
REMOVE STICKER FROM TRANSFORMER.  
REMOVE BACKING FROM STRIP OF ITEM 15  
AND ADHERE IT SQUARELY TO BOTTOM OF  
ATTACH ITEM 14 TO ITEM 15 FOR LATER USE.

8 7 6 5 4 3 2 1

A B C D

2007 VISION TARGET FABRICATION

**FIRST**

200 Bedford Street, Manchester, N.H. 03101  
(603) 666-3906 • FAX (603) 666-3907

REV	DATE	BY	DESCRIPTION
1	10/12/07	JRR	FOR 2007

TOLERANCE PERPENDICULAR WITHIN .0007" ± .001 FSCM

FRAC 1/32 FLAT OR STRAIGHT ± .001" ± .001 CONVENIAL TLR

RADIUS ± .001" ± .001 FSCM

FINISH SLURFACE

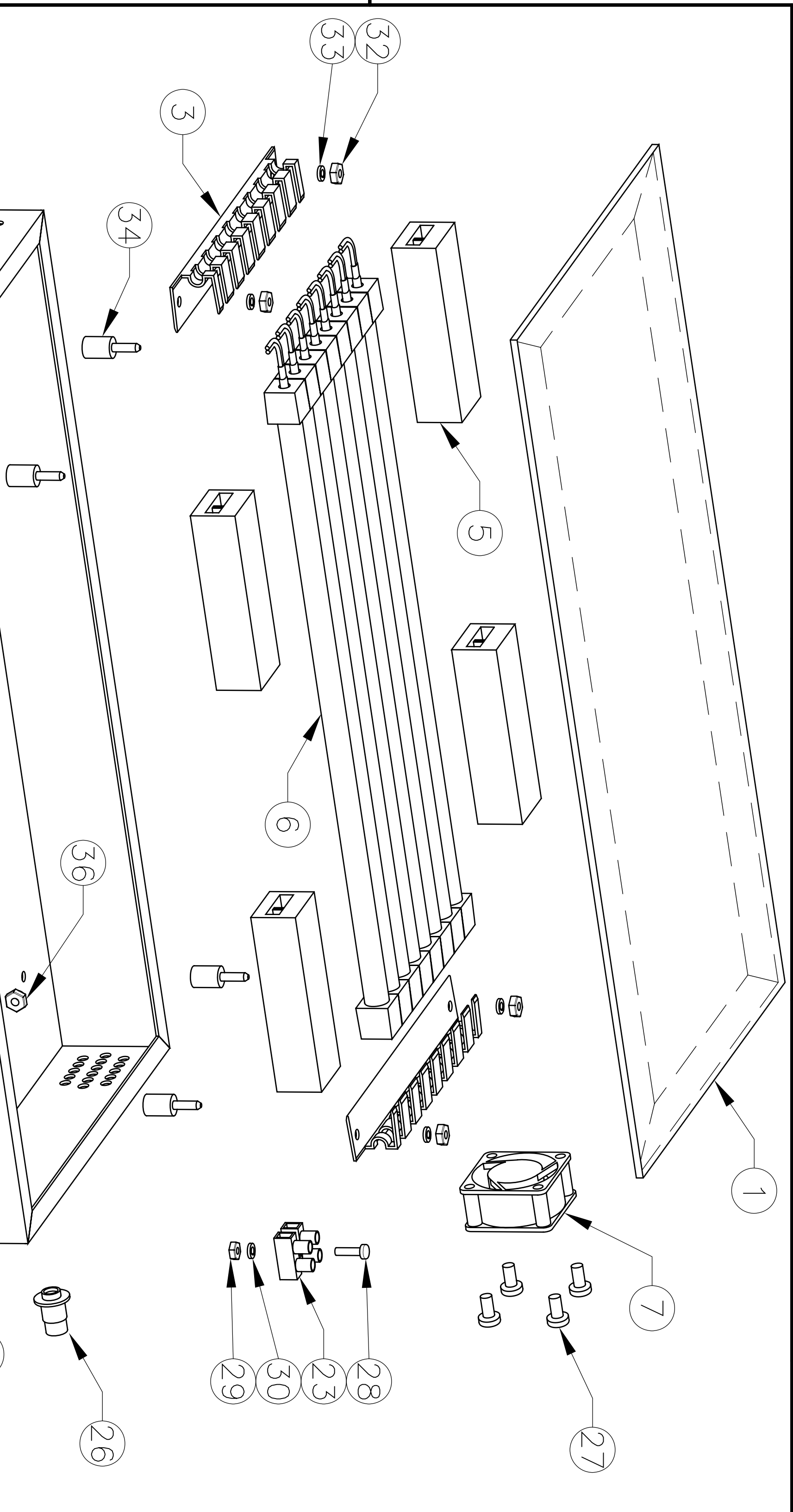
DATE 10/12/06

SCALE NA

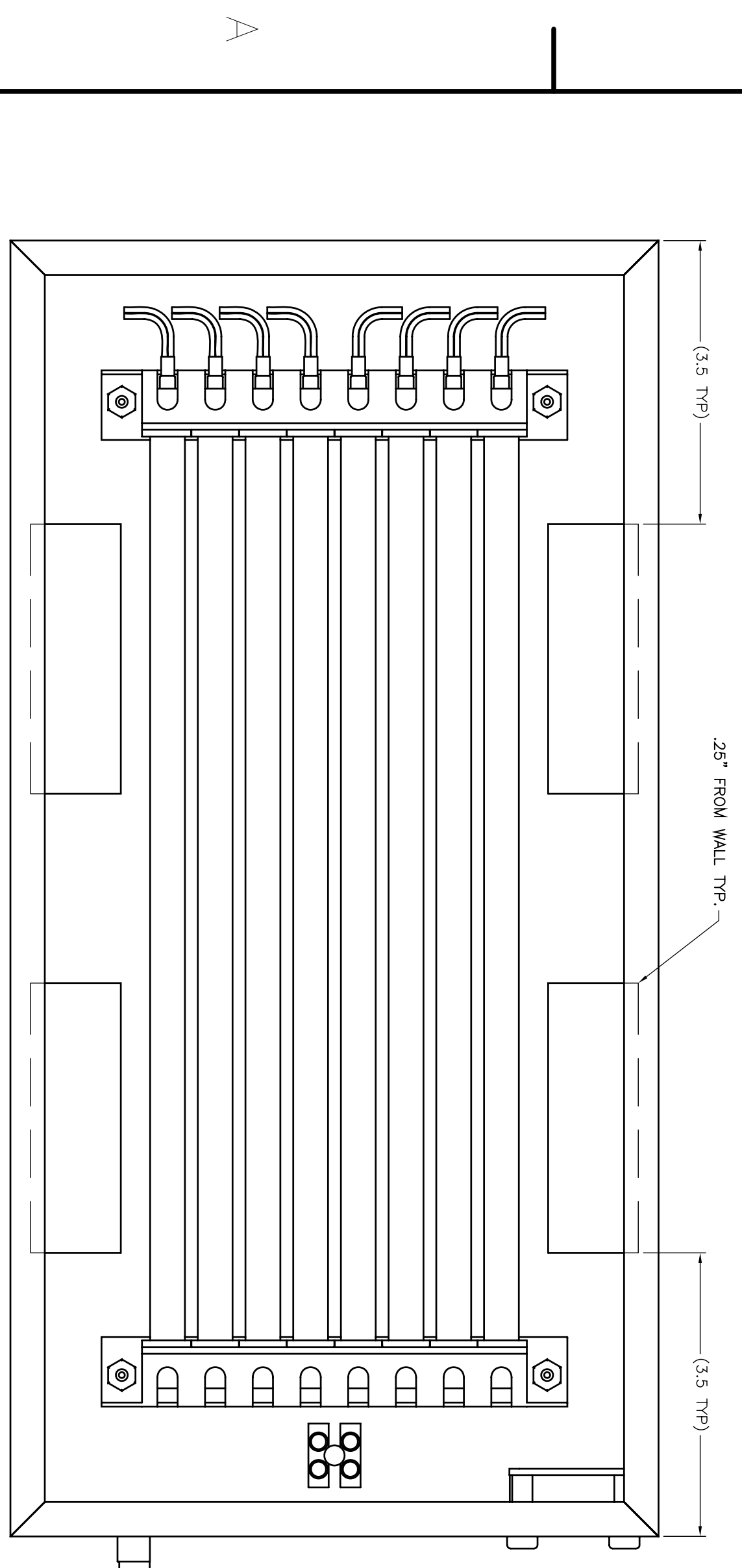
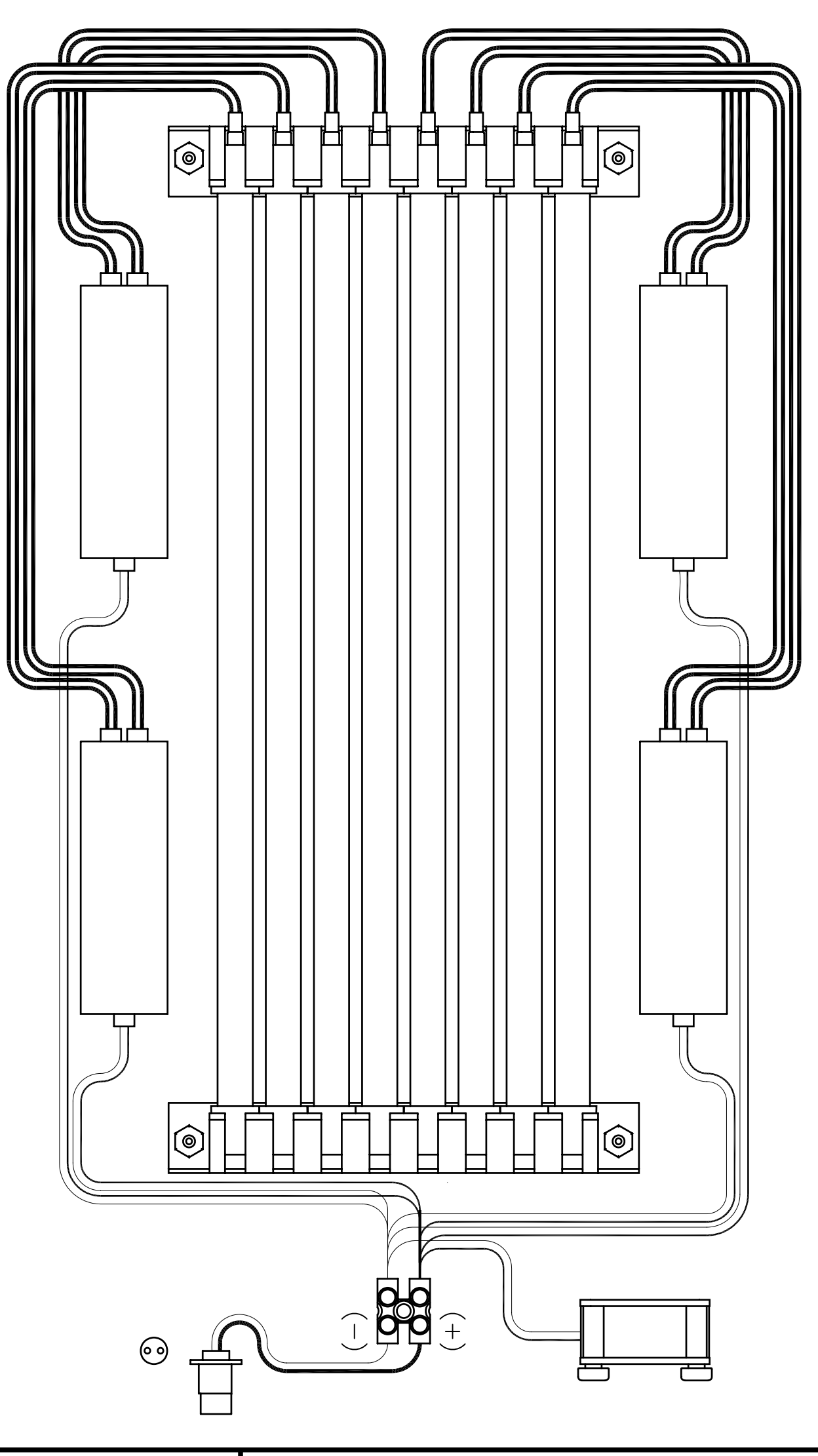
CHECKED

DATE

SHEET NO. 1 of 2



ITEM	QTY.	DESCRIPTION	LENGTH	PART NO.
1	1	DIFFUSER PANEL	.	F02-0202-01
2	1	ALUMINUM CHASSIS MOD	.	F02-0202-02
3	2	BRACKET, CQFL	.	F02-0202-03
4	1	BRACKET, TARGET MOUNTING	.	F02-0202-04
5	4	TRANSFORMER, CQFL MOD	.	F02-0202-05
6	8	COLD CATHODE TUBE, GREEN 12"	.	
7	1	FAN MODIFICATION	.	
20	AR	1/8" HDPE SHEET, NATURAL	.	
21	AR	ALUM CHASSIS 8"x16"x2" (HAMMOND)	.	1444-26
22	AR	ALUMINUM EXTRUSION, (TCH)	.	507-3035906
23	AR	TERMINAL BLOCK, (ALTECH)	.	HEAMP/12
24	AR	1" VELCRO, HOOK	.	
25	AR	1" VELCRO, LOOP	.	
26	1	CONNECTOR, (CONKAL)	.	1782-2PG-300
27	4	SCREW, PANHEAD 10-32x8"	.	
28	1	SCREW, PANHEAD 6-32x1/2"	.	
29	1	NUT, 6-32	.	
30	1	LOCKWASHER, #6	.	
31	4	SCREW, PANHEAD 8-32x1/4"	.	
32	4	NUT, 8-32	.	
33	4	LOCKWASHER, #8	.	
34	4	ISOLATION MOUNT	.	
35	4	SCREW, FLATHEAD 10-32x1/2"	.	
36	2	NUT, NYLON 10-32	.	
37	2	RECEPTACLE, 1/8" TURN FASTENER	.	82-35-302-15
38	4	SOLID RIVET	.	



**FIRST**  
 200 Bedford Street, Manchester, N.H. 03101  
 (603) 666-3906 • FAX (603) 666-3907

TITLE: **2007 VISION TARGET FABRICATION & ASSEMBLY**

REV: 1  
 DATE: 11/09/06  
 SCALE: NA  
 CHECKED: [ ]  
 DATE: [ ]

BRNWN BY: JPR  
 SIZE: D  
 No. F02-0202

AS NOTED

SHEET NO. 2 OF 2