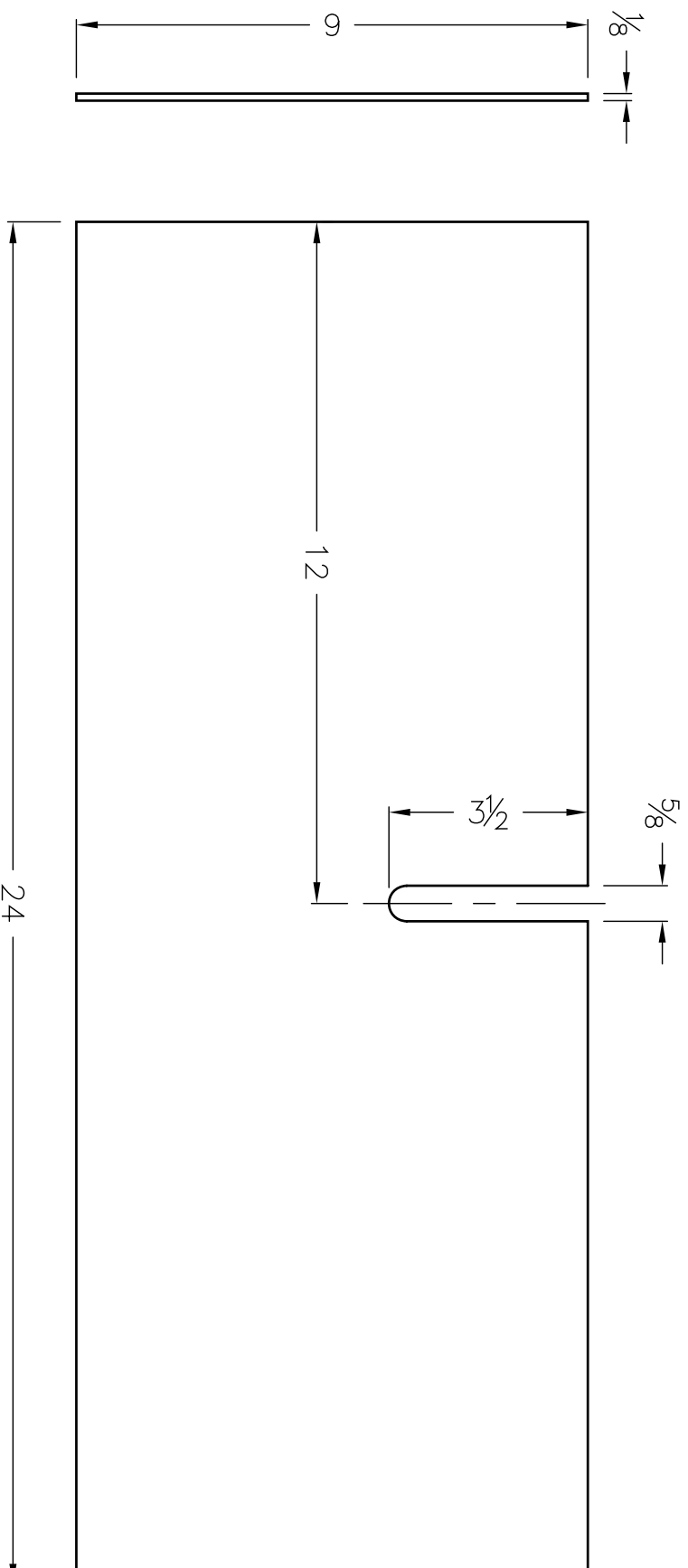


ITEM	QTY.	DESCRIPTION	LENGTH	PART NO.
1	1	HDPE SHEET, 1/8" THICK (YELLOW)	-	-
-	-	-	-	-
-	-	-	-	-
-	-	-	-	-
-	-	-	-	-



REV.		FROM	BY	DATE	TITLE		MATERIAL	
UNLESS OTHERWISE SPECIFIED					200 Bedford Street, Manchester, N.H. 03101		FIRST	
TOLERANCE PERPENDICULAR WITHIN					FRC FIELD			
INCHES PARALLEL					TRIP GUARD			
FRAC: 1/2 - 1/32					DRAWN BY		DATE	SCALE
FLAT OR STRAIGHT					JRR	12/17/06		CHECKED
CONCENTRIC T.I.R.					DATE			DATE
RADIUS: 1/2					NO. F07-0023		SHEET NO. 1	
HOLES: 1/2					SIZE B			
.000 1/2 - .005 F.SCM								
SURFACE FINISH								
.00 1/2 - .01								
.0 1/2 - .02								

200 Bedford Street, Manchester, N.H. 03101
(603) 666-3906 ♦ FAX (603) 666-3907

FRC FIELD
TRIP GUARD

FIRST

DRAWN BY: JRR
DATE: 12/17/06
SCALE: [blank]
CHECKED: [blank]
DATE: [blank]
NO. F07-0023
SIZE B
SHEET NO. 1

