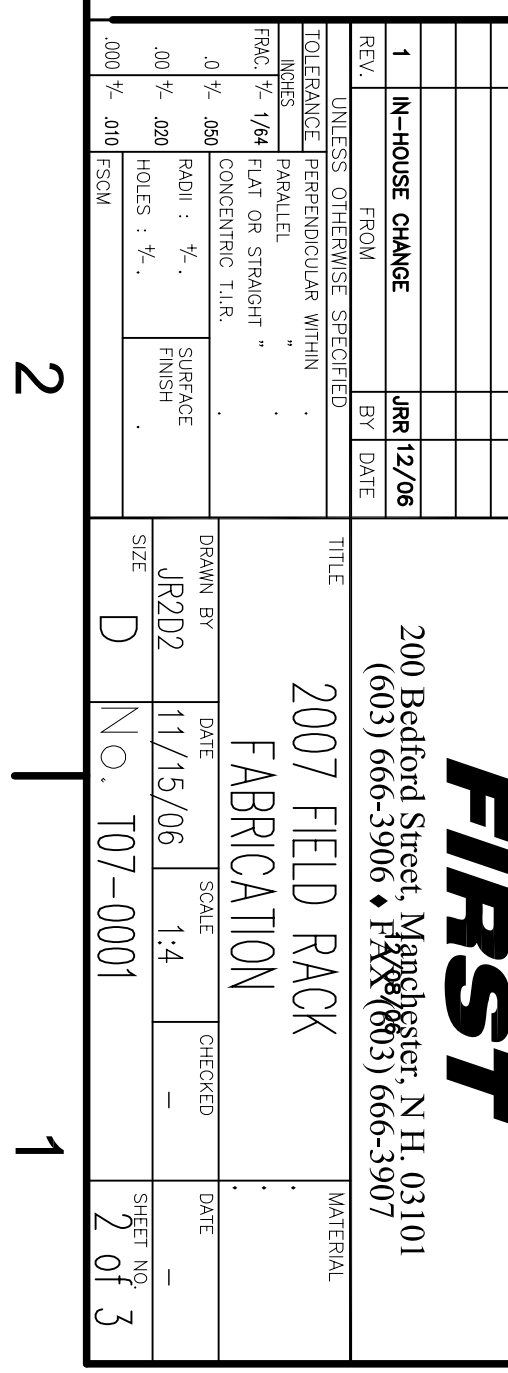
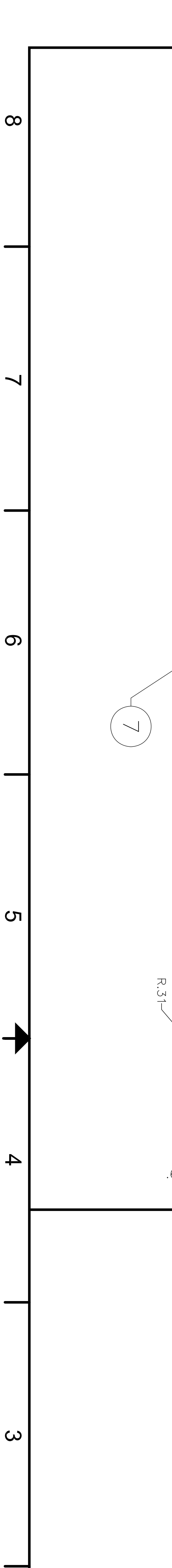
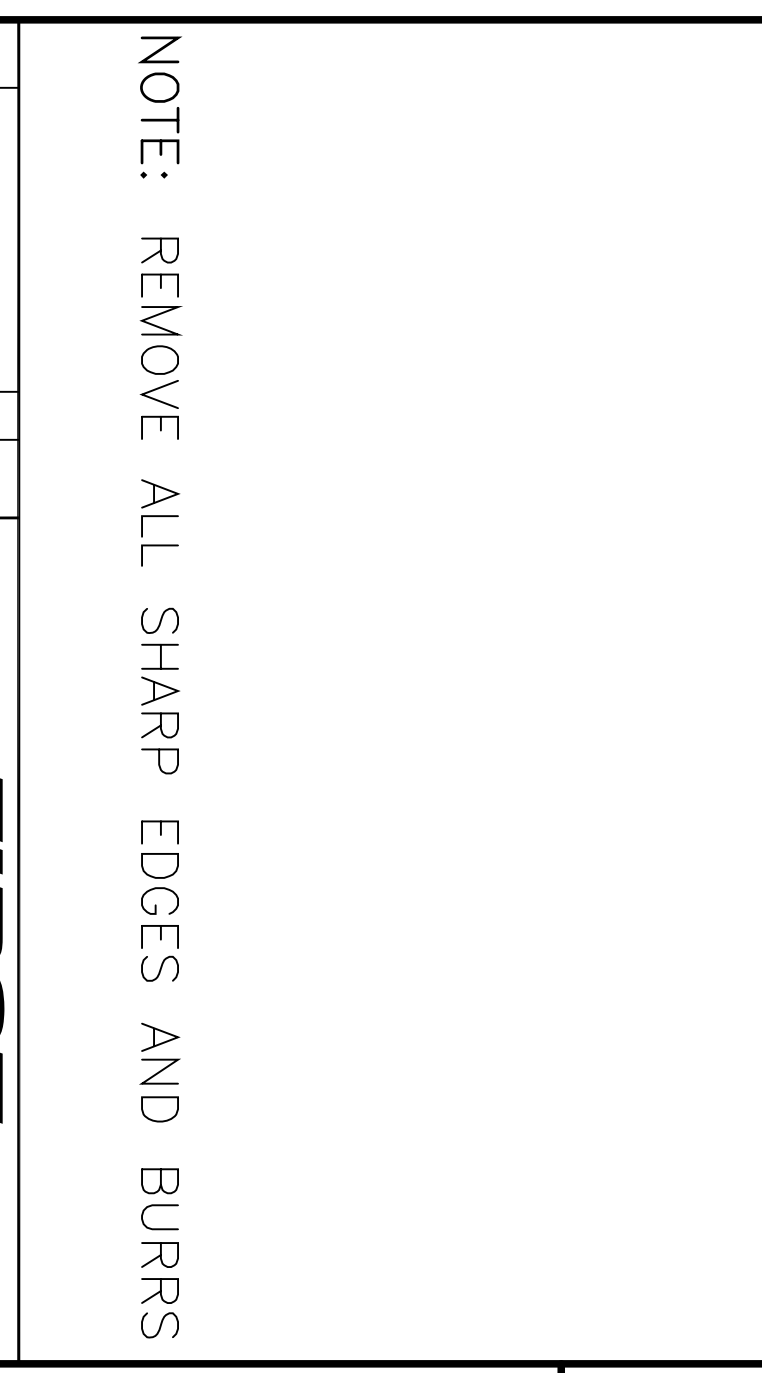
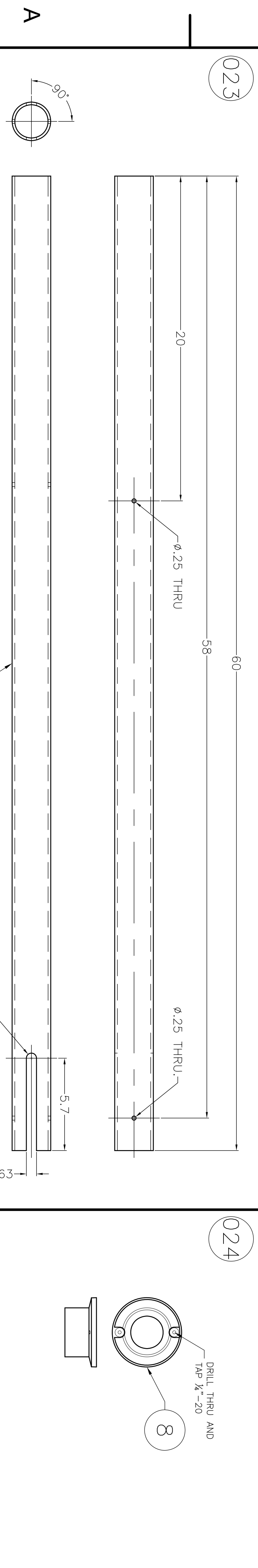
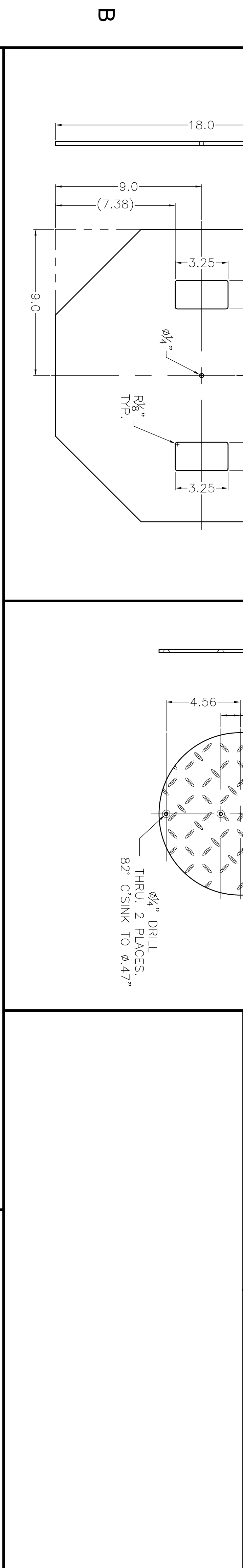
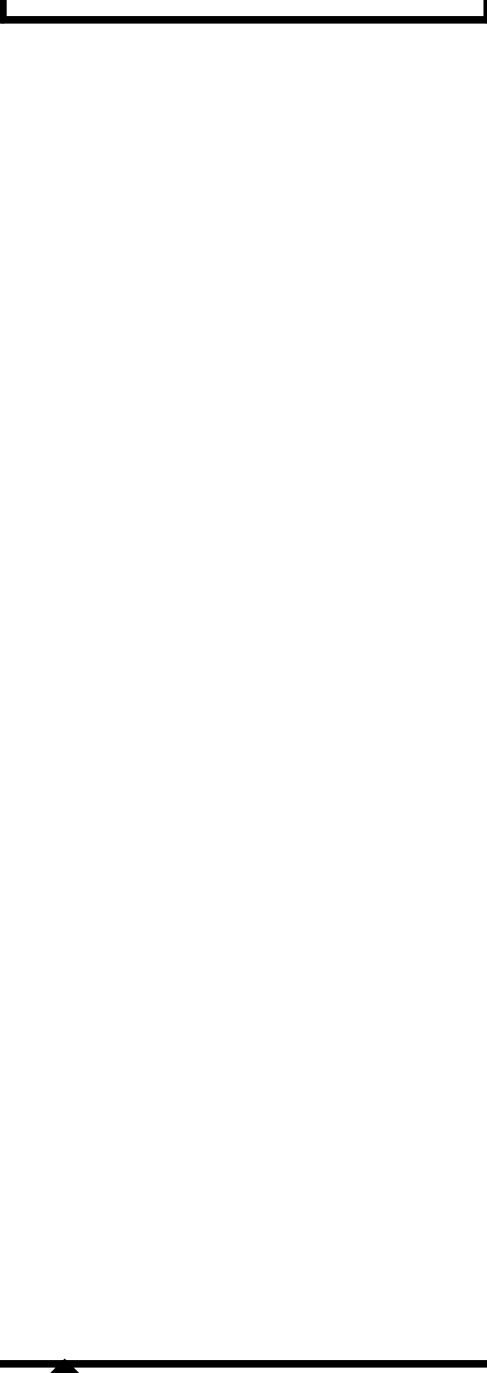
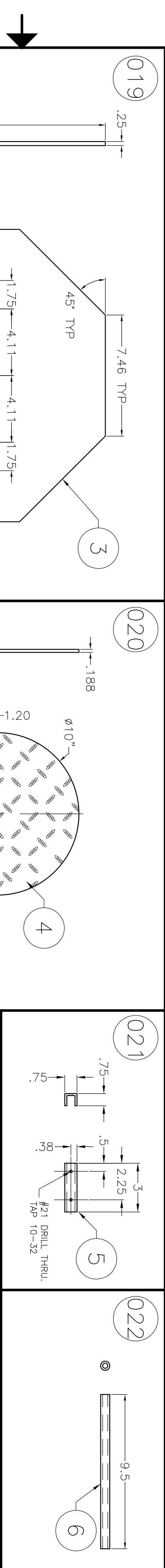
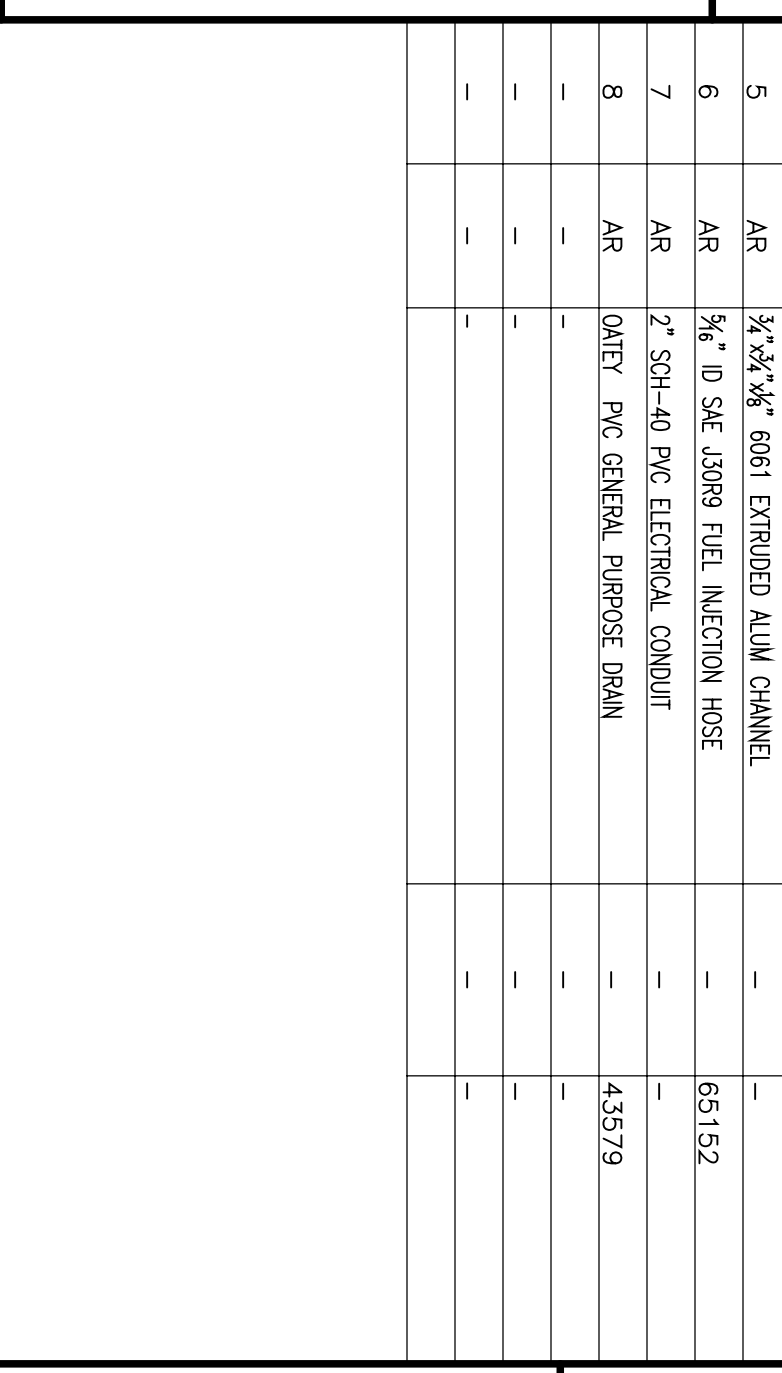
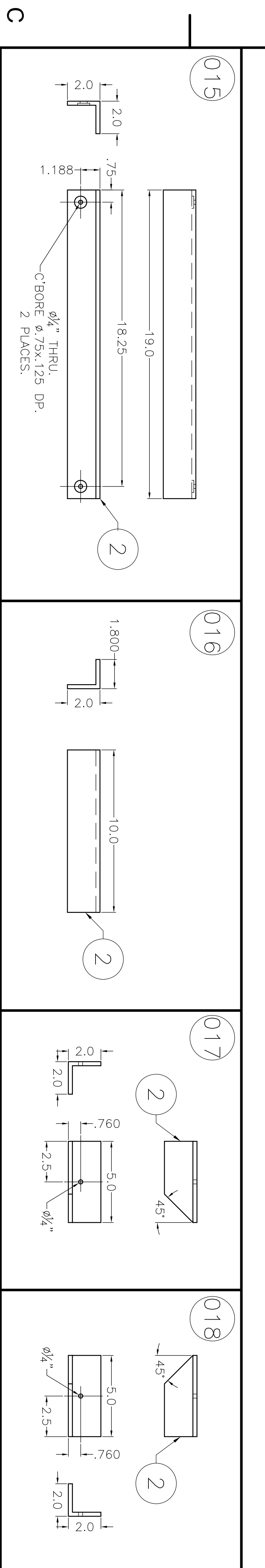
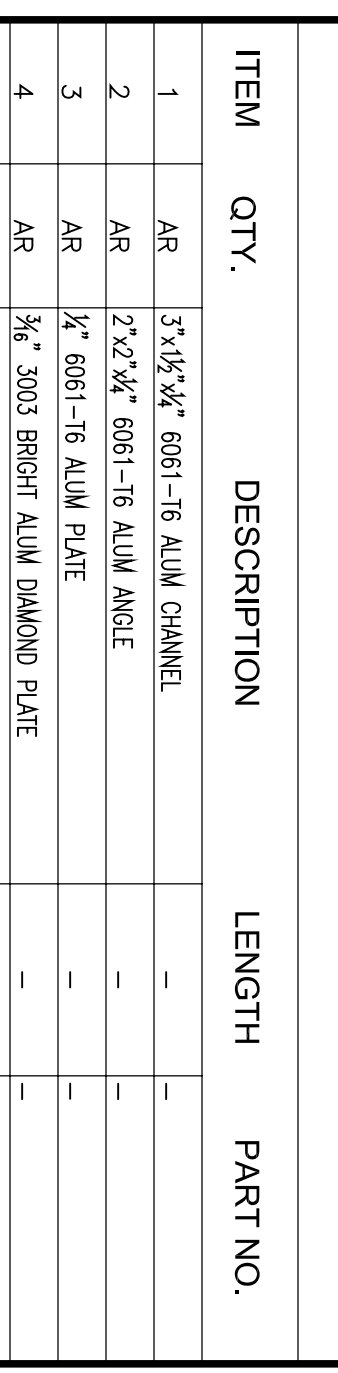
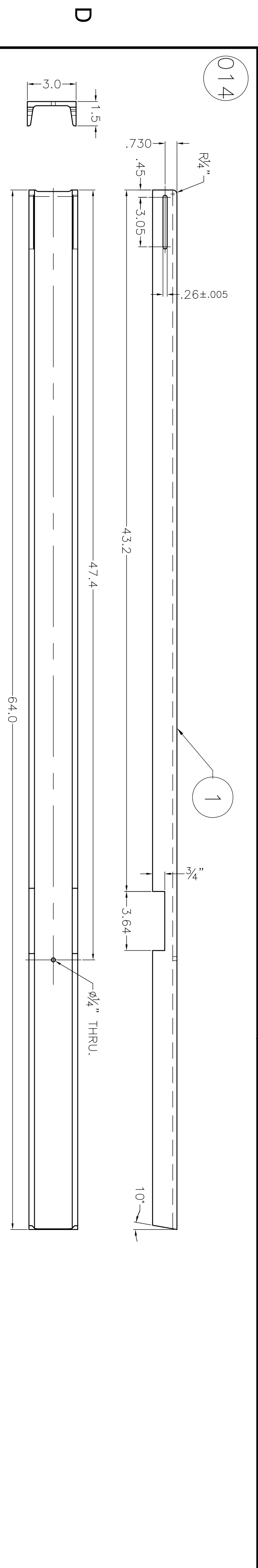


ZONE	REV	DESCRIPTION	DATE	APPROVED
1	CHANGED DIM ON PART 23 (15" TO 20")			
1	CHANGED DIM ON PART 16 (C-BORE TO 1.25)			
1	CHANGED DRILL AND TAP, PART 21 (#21 DRILL, 10-32 TAP)			
			12/08/06	

ITEM	QTY.	DESCRIPTION	LENGTH	PART NO.
1	AR	3x1/2x1/4" 6061-T6 ALUM CHANNEL	-	-
2	AR	2"x2"x1/2" 6061-T6 ALUM ANGLE	-	-
3	AR	1/4" 6061-T6 ALUM PLATE	-	-
4	AR	3/8" 3003 BRIGHT ALUM DIAMOND PLATE	-	-
5	AR	3/4"x3/4"x1/2" 6061 EXTRUDED ALUM CHANNEL	-	-
6	AR	3/8" ID SAE 13019 FDEL INJECTION HOSE	-	65152
7	AR	2" SCH-40 EPC ELECTRICAL CONDUIT	-	-
8	AR	DATEY PVC GENERAL PURPOSE DRAIN	-	43579



NOTE: REMOVE ALL SHARP EDGES AND BURRS

REV	DATE	DESCRIPTION
1	JRR 12/06	IN-HOUSE CHANGE

2007 FIELD RACK FABRICATION  
 200 Bedford Street, Manchester, N.H. 03101  
 (603) 666-3906 • FAX (603) 666-3907

**FIRST**  
 2007 FIELD RACK FABRICATION  
 2007-001