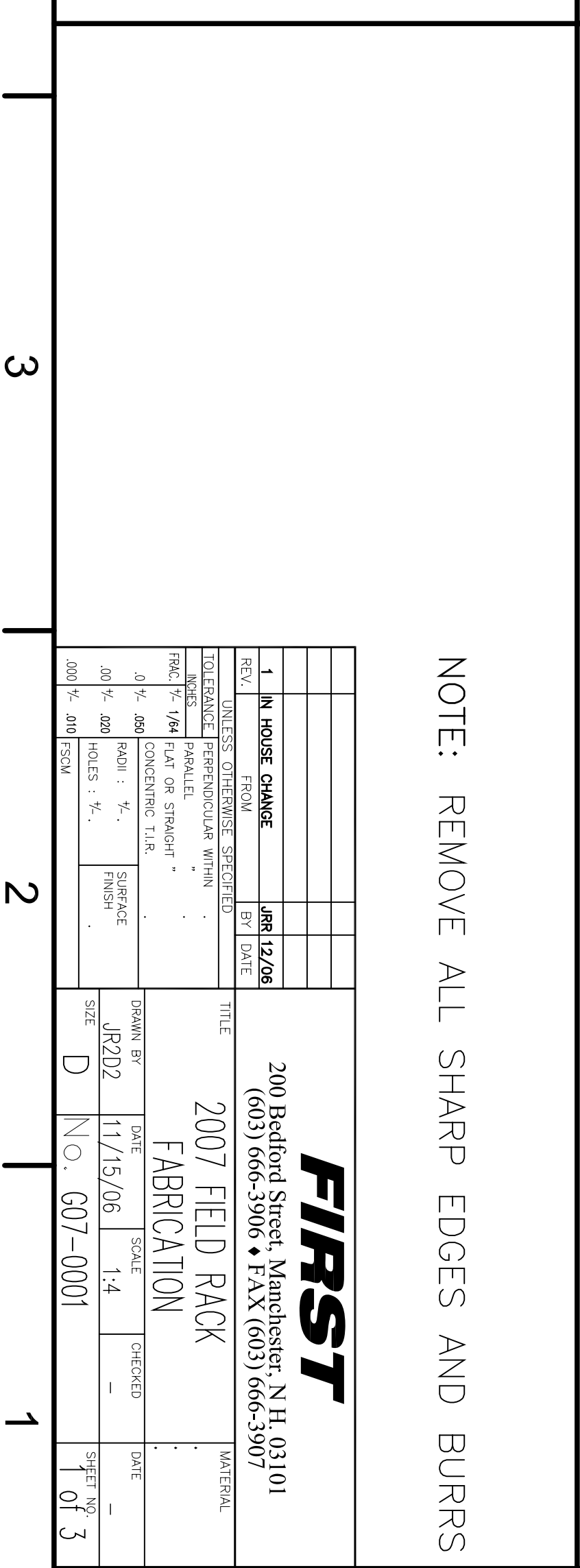
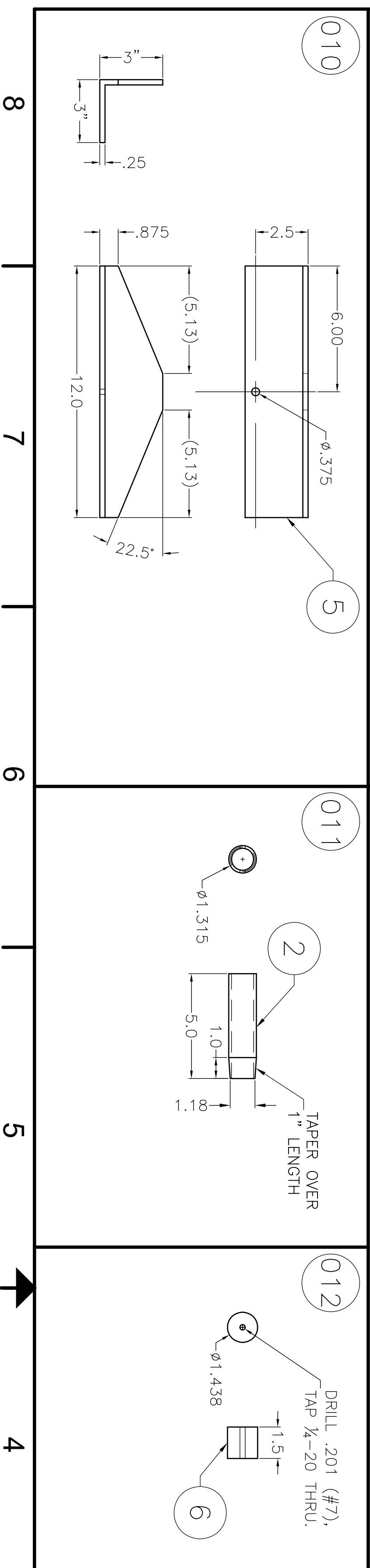
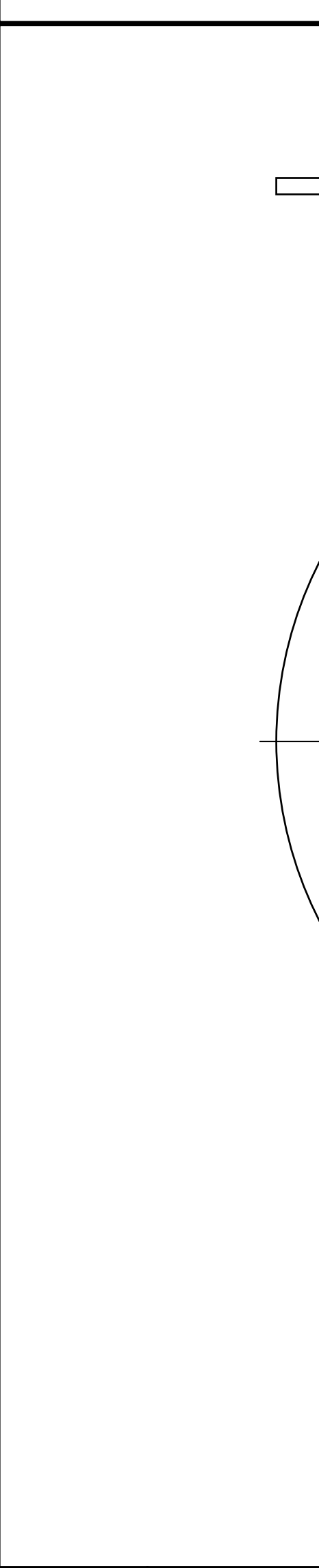
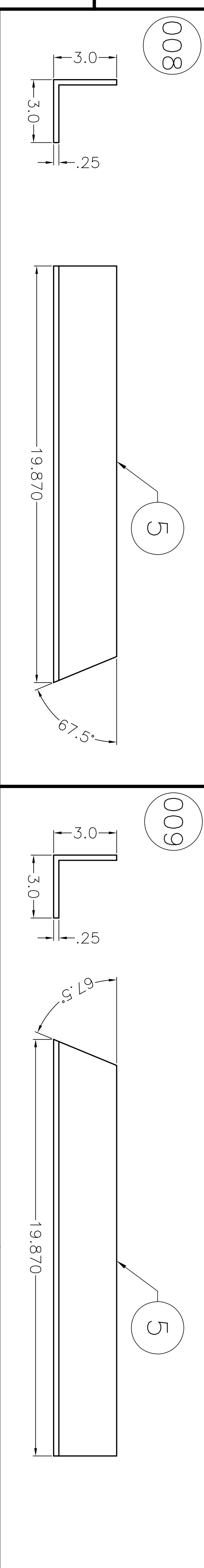
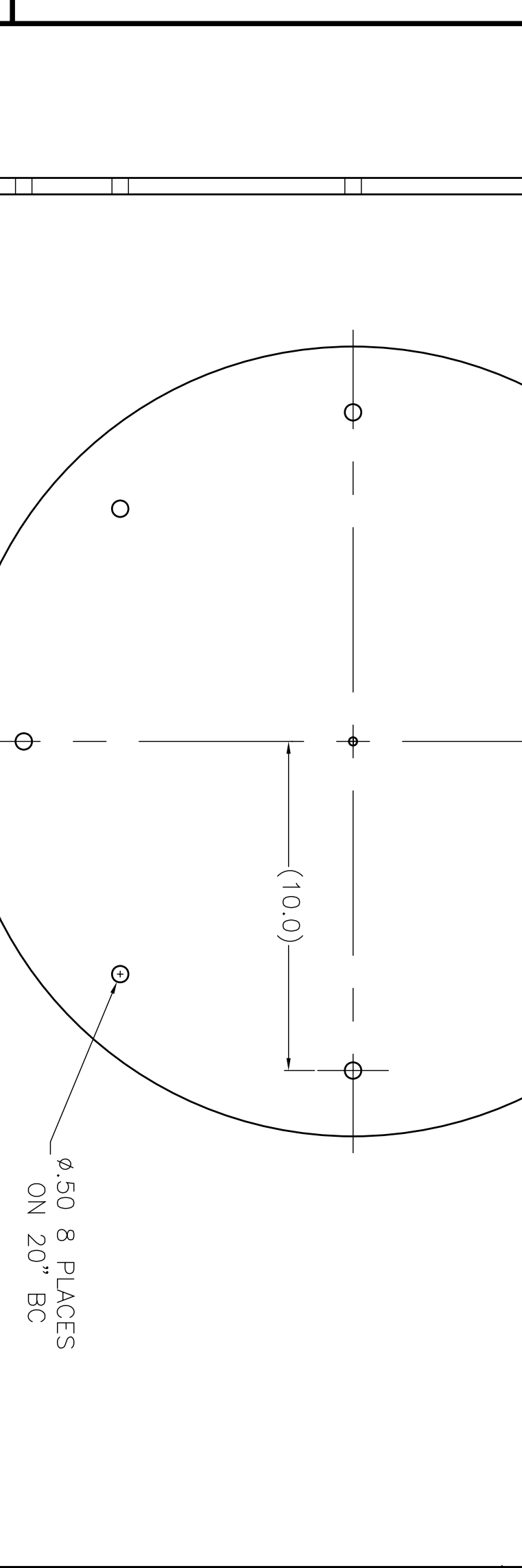
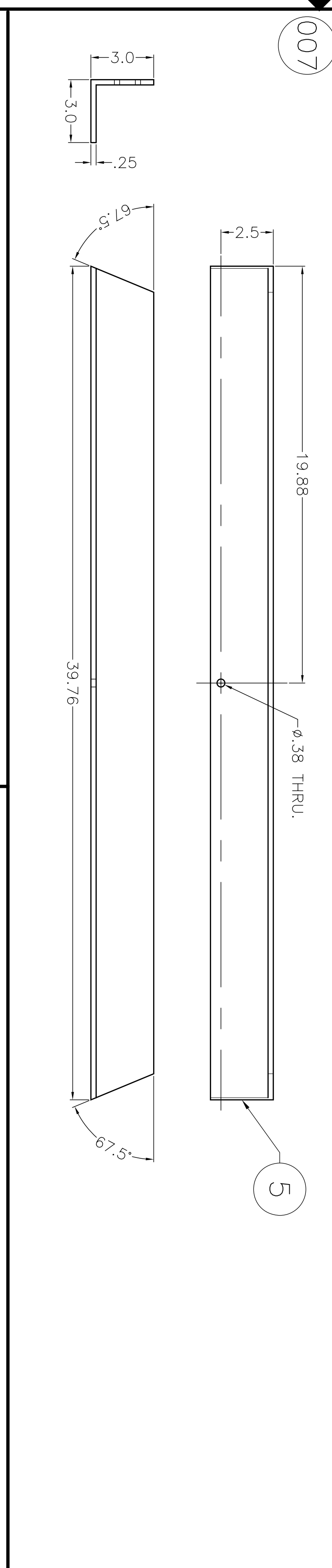
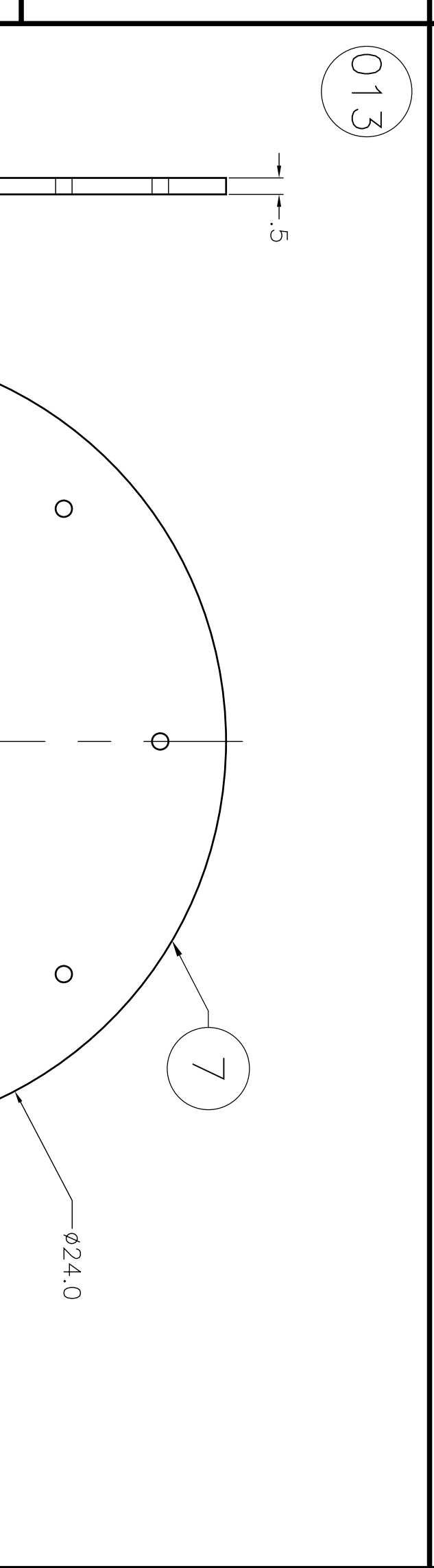
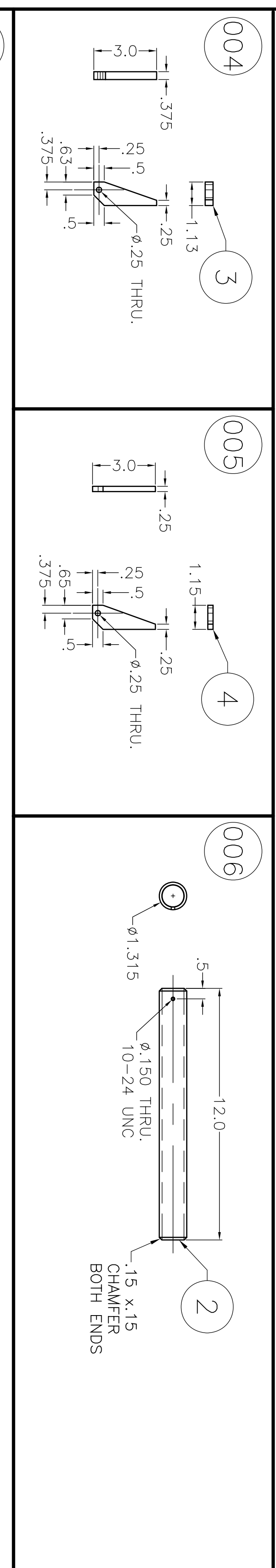
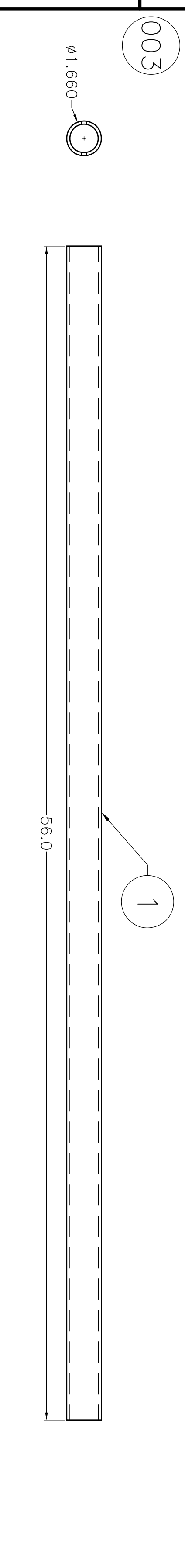
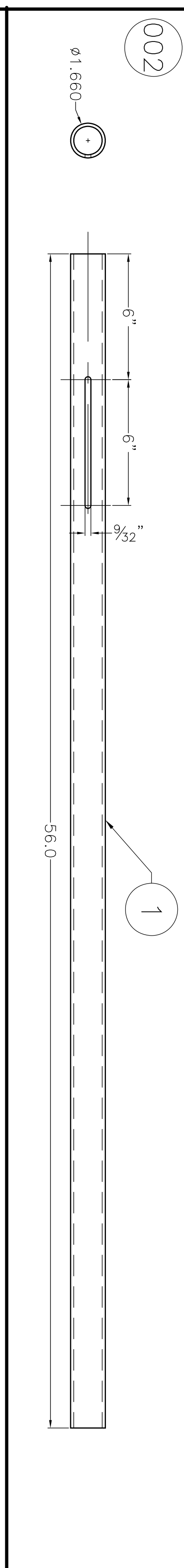
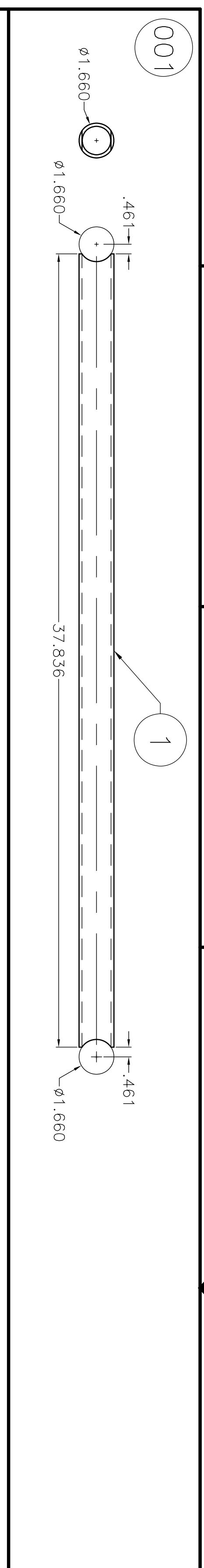


ZONE	REV	DESCRIPTION	DATE	APPROVED
1	ADDED PART 012		12/09/06	

ITEM	QTY.	DESCRIPTION	LENGTH	PART NO.
1	AR	1 1/2" 6061-T6 SCH-40 EXTRUDED ALUM PIPE	-	-
2	AR	1" 6061-T6 SCH-40 EXTRUDED ALUM PIPE	-	-
3	AR	3/75" 6061-T6 ALUM PLATE	-	-
4	AR	25 6061-T6 ALUM PLATE	-	-
5	AR	3"x3"x1/2" 6061-T6 ALUM ANGLE	-	-
6	AR	1/8" 6061-T6 EXTRUDED ALUM ROD	-	-
7	AR	1/2" POLYCARBONATE SHEET	-	-



NOTE: REMOVE ALL SHARP EDGES AND BURRS

1	IN HOUSE CHANGE	JRE/12/06	2007 FIELD RACK FABRICATION	200 Bedford Street, Manchester, N.H. 03101 (603) 666-3906 • FAX (603) 666-3907
TOLERANCE: PERPENDICULAR WITHIN .001 UNLESS OTHERWISE SPECIFIED		DATE	TITLE	MATERIAL
PARALLEL		DATE	SCALE	DATE
FLAT OR STRAIGHT		DATE	SCALE	DATE
CONCENTRIC TIE		DATE	SCALE	DATE
SURFACE FINISH		DATE	SCALE	DATE
HOLES		DATE	SCALE	DATE
DRAWN BY JRP/D2		DATE 11/15/06	SCALE 1:4	CHECKED
SHEET NO. 1 OF 3		NO. 607-0001		DATE