

8

7

6

5

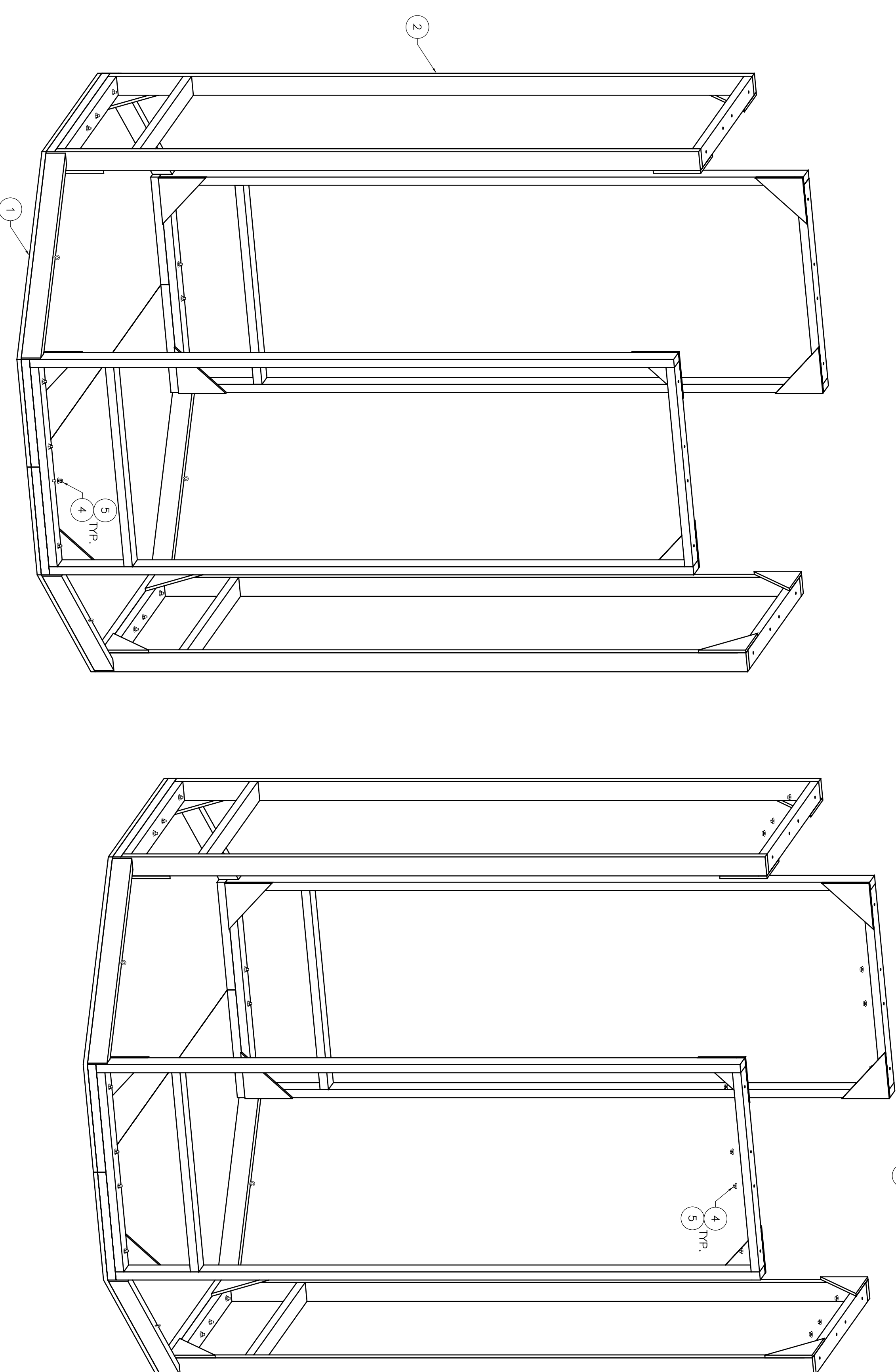
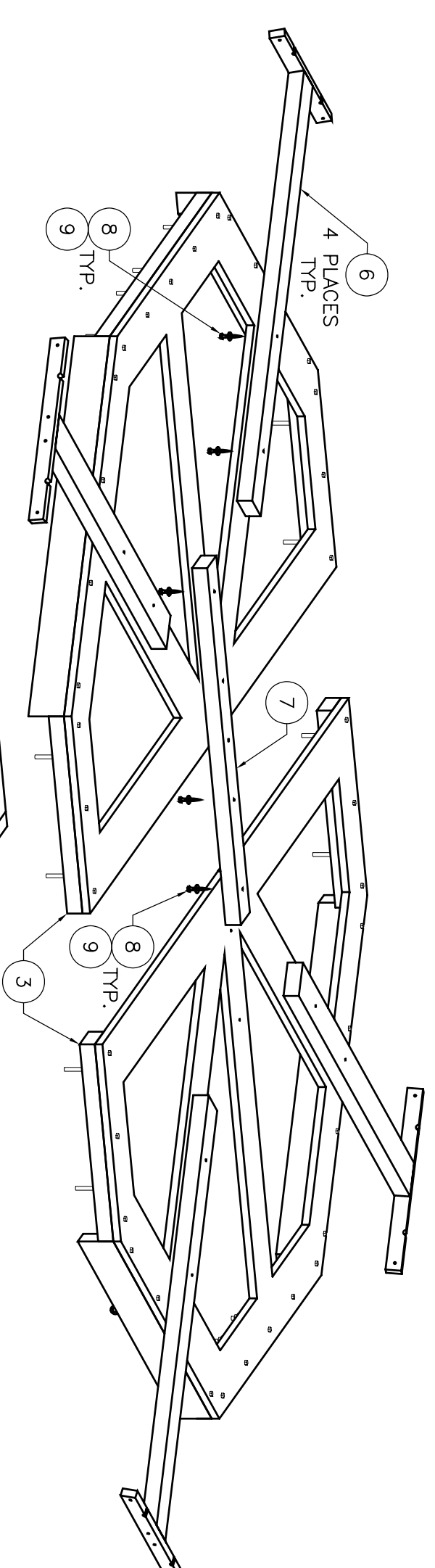
4

3

2

1

ZONE	REV.	DESCRIPTION	REVISIONS	DATE	APPROVED
1				12/09/08	
2		CORRECTED REVISION NUMBER LIST FROM REV. 1 TO 2			
		CORRECTED PARTS LIST ITEM 1 QUANTITY FROM 4 TO 2			
		CORRECTED PARTS LIST ITEM 2 QUANTITY FROM 2 TO 4			
		CORRECTED PARTS LIST ITEM 3 QUANTITY FROM 16 TO 32			
		CORRECTED PARTS LIST ITEM 4 QUANTITY FROM 16 TO 32			
				12/16/08	



ITEM	QTY.	DESCRIPTION	LENGTH	REMARKS
1	2	BOTTOM PLATE ASSEMBLY	-	T07-0002-AS3
2	4	FRAME ASSEMBLY	-	T07-0002-AS2
3	2	TOP PLATE ASSEMBLY	-	T07-0001-AS1
4	32	NUT, $\frac{5}{8}$ "-16 NYLON LOCKING	-	
5	32	FLAT WASHER, SAE $\frac{5}{8}$ "	-	
6	4	LIGHT ARM ASSEMBLY	-	T07-0002-AS7
7	1	TOP STIFFENER	-	T07-0001-A
8	12	$\frac{1}{2}$ "X2" HEX HEAD LAG BOLT	-	
9	12	FLAT WASHER, SAE $\frac{1}{2}$ "	-	
-	-	-	-	-
-	-	-	-	-
-	-	-	-	-
-	-	-	-	-
-	-	-	-	-
-	-	-	-	-
-	-	-	-	-

A

B

C

D

8

7

6

5

4

3

2

1

A

B

C

D

200 Bedford Street, Manchester, N.H. 03101
(603) 666-3906 • FAX (603) 666-3907

FIRST

**2007 WOOD FIELD ELEMENTS
RACK ASSEMBLY**

ENGINEER	DATE	TITLE	ENGINEER	DATE	TITLE
DRAWN	DATE				
JRR	11/06				
CHECKED	DATE				
APPROVED	DATE	SIZE/CLASS. ID.	DRAWING NO.	REV.	
		D	T07-0003	2	
ISSUED	DATE	SCALE	NA	SHEET	1 of 2