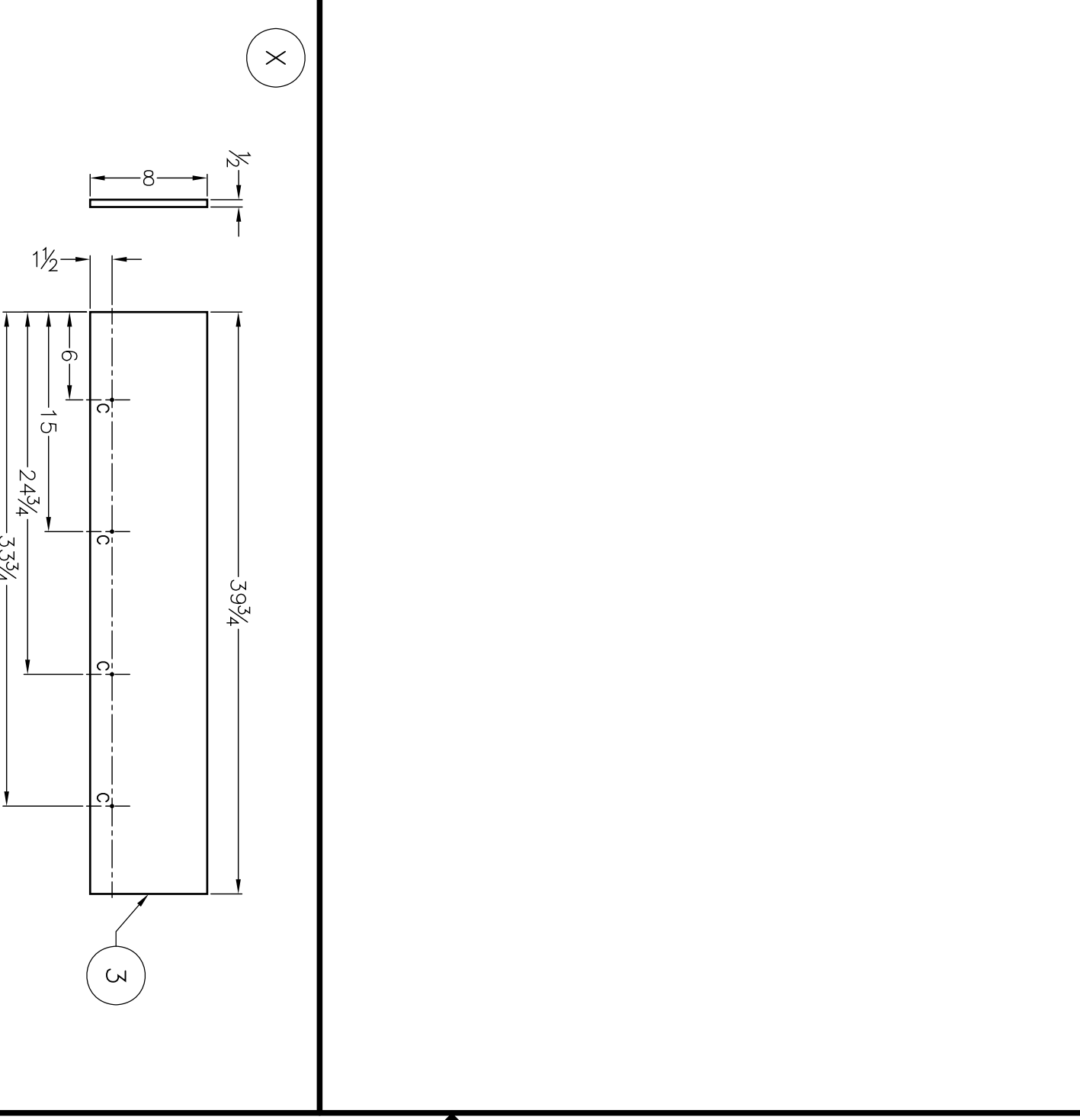


ZONE	REV	DESCRIPTION	DATE	APPROVED
	1	CHANGED DESCRIPTION ADDED PART NUMBER TO ITEM 6	12/09/08	
	2	ADDED PART NUMBER TO PART S	12/09/08	
	3	ADDED VERTICAL DIMENSION TO PART X	12/11/08	
	4	ADDED VERTICAL DIMENSION TO PART X	12/11/08	
	5	CHANGED PARTS LIST ITEM 8 DESCRIPTION FM 2" x 5" TO 1" x 2"	12/18/08	
	6	ADDED NOTE TO PART X	12/29/08	

ITEM	QTY.	DESCRIPTION	LENGTH	REMARKS
1	AR	2"x4" SPF LUMBER	-	
2	AR	4"x8 x 3/4" PLYWOOD	-	
3	AR	1/2" PLYWOOD	-	
4	AR	2" SCH-40 PVC ELECTRICAL CONDUIT	-	
5	AR	1/2" PLYWOOD	-	
6	AR	OATEY PVC GENERAL PURPOSE DRAIN	4.3579	
7	AR	5/8" ID SAE J3087 FUEL HOSE	65.127	
8	AR	1" x 2" PINE BOARD	-	



HOLE CHART	
HOLE	SIZE
A	1/4"
B	3/8"
C	5/32"
D	1/2"
E	3/4"

**FIRST**  
200 Bedford Street, Manchester, N.H. 03101  
(603) 666-3906 • FAX (603) 666-3907

**2007 WOOD FIELD ELEMENTS RACK FAB / ASS'Y**

ENGINEER: \_\_\_\_\_ DATE: \_\_\_\_\_  
 DRAWN: \_\_\_\_\_ DATE: 11/06  
 CHECKED: \_\_\_\_\_ DATE: \_\_\_\_\_  
 APPROVED: \_\_\_\_\_ DATE: \_\_\_\_\_  
 ISSUED: \_\_\_\_\_ DATE: \_\_\_\_\_

DRAWING NO. TO7-0001  
 SCALE: NA  
 SHEET 1 of 2

8

7

6

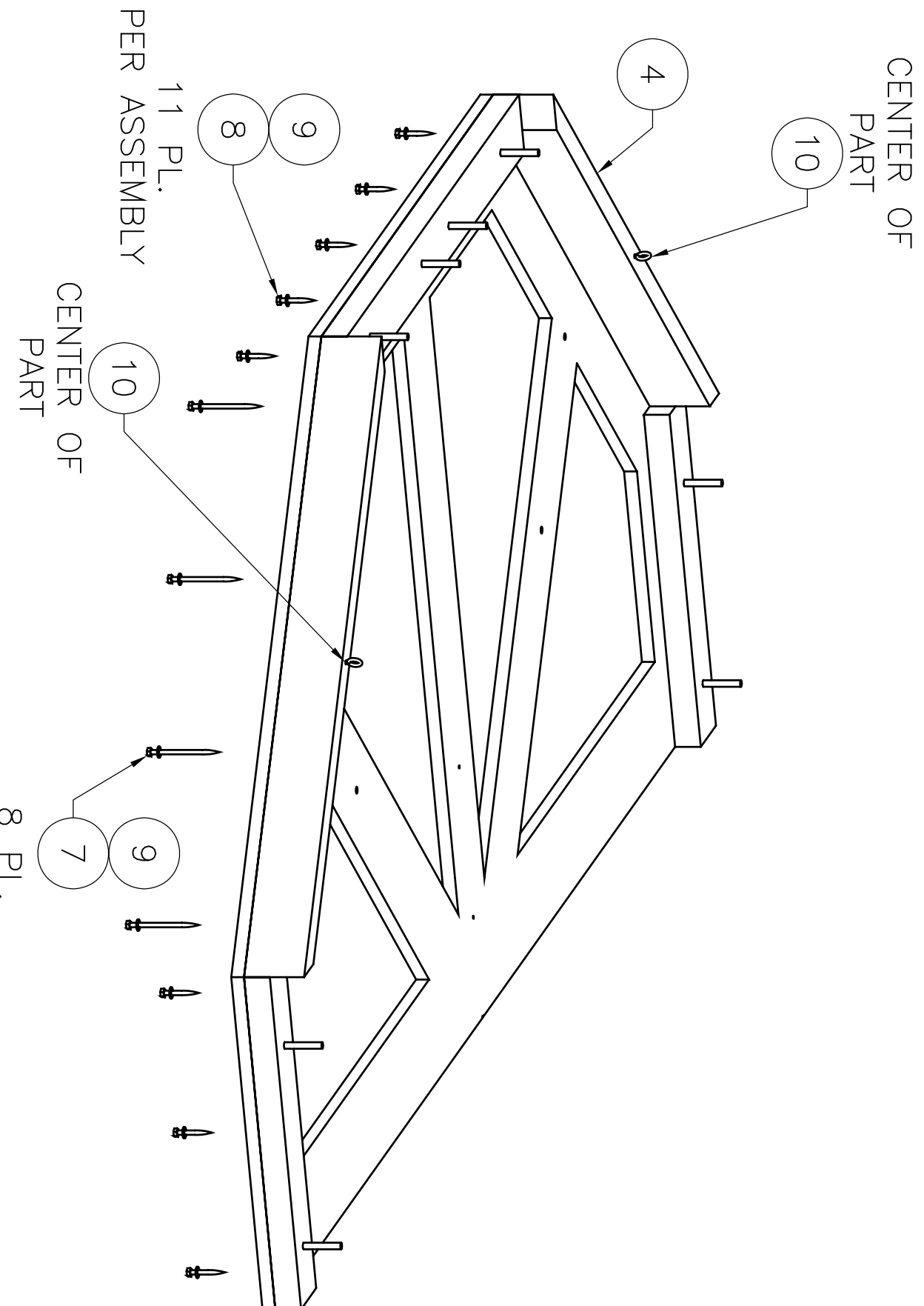
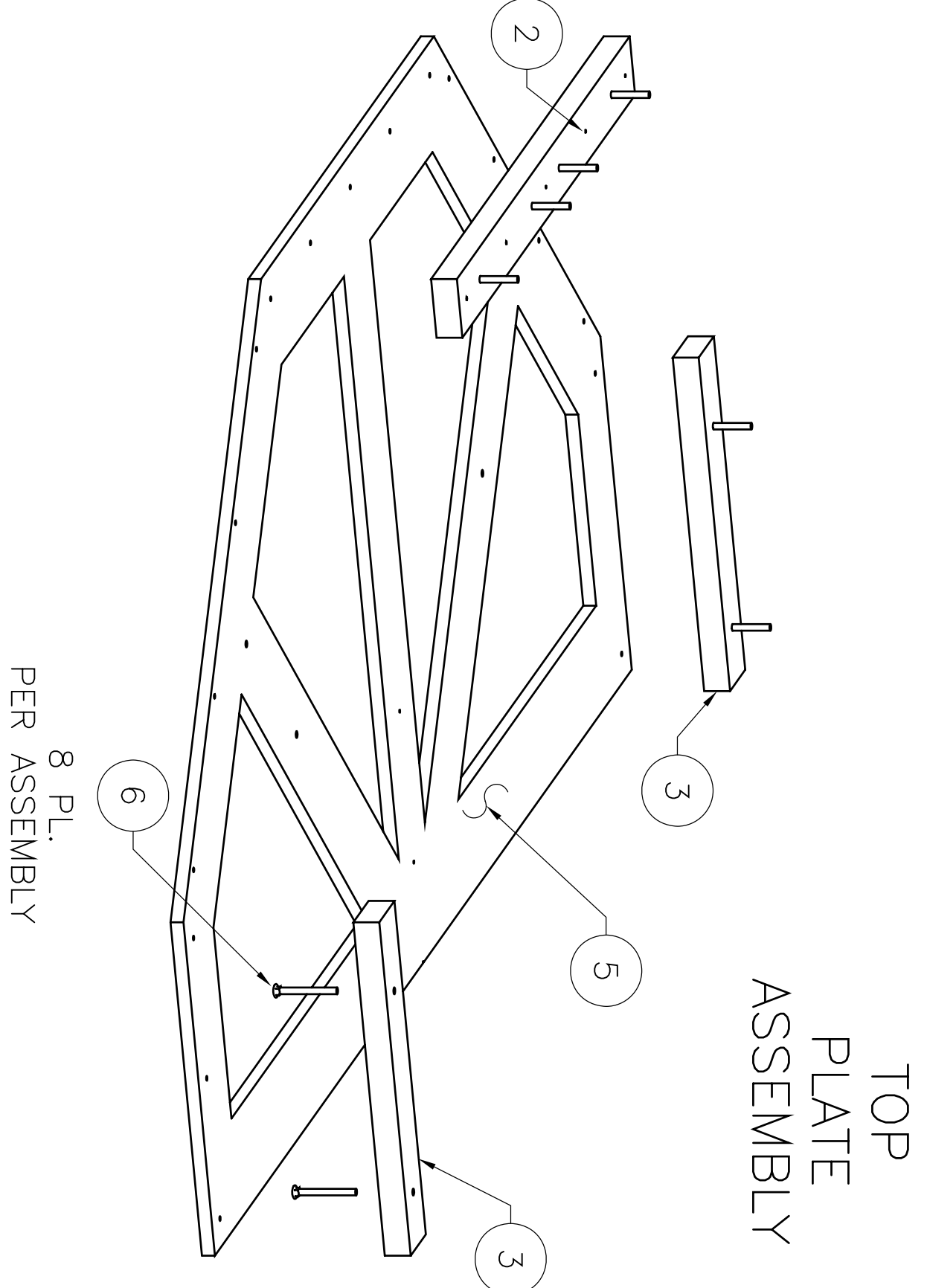
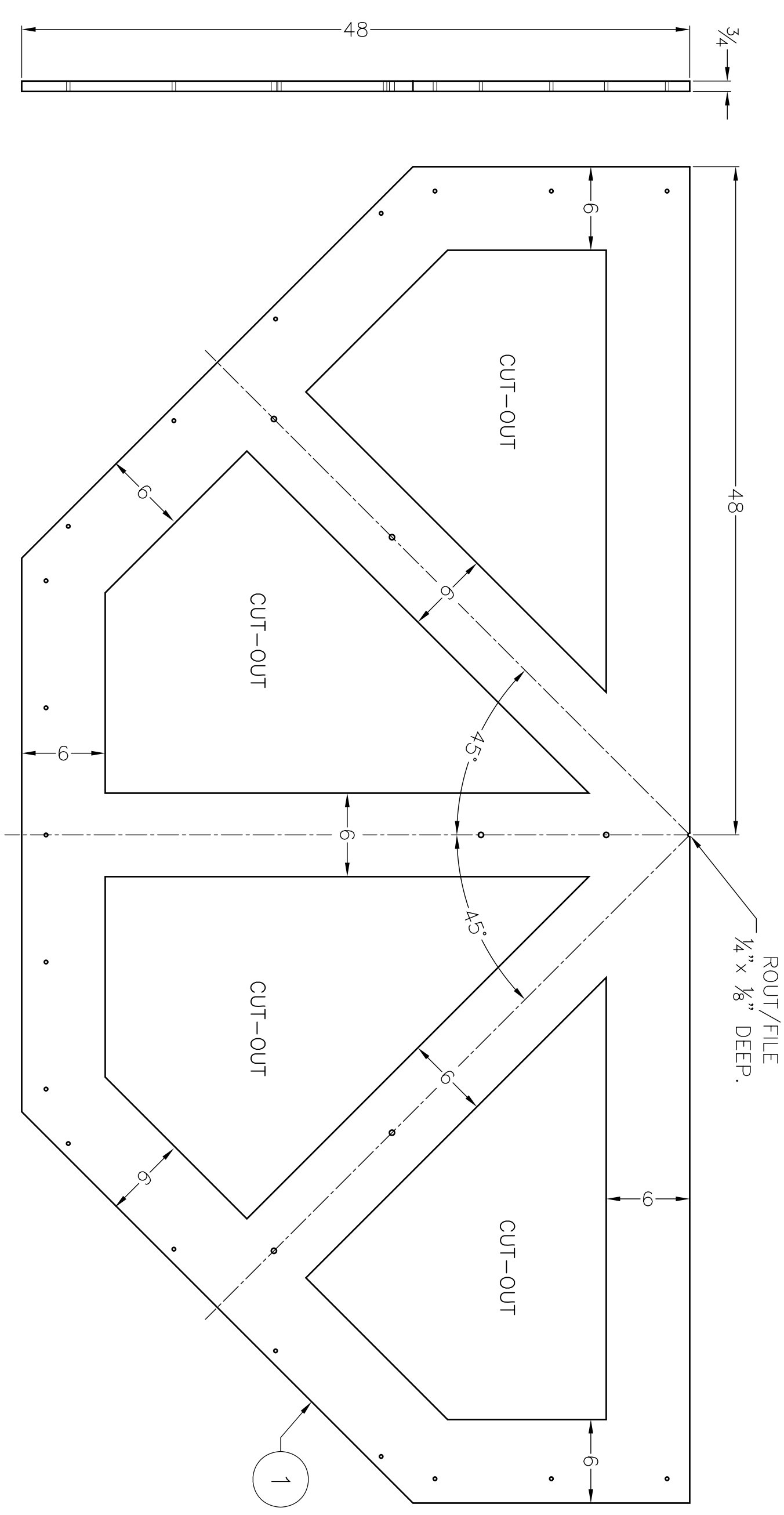
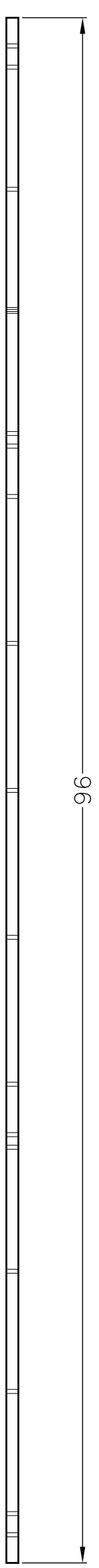
5

4

3

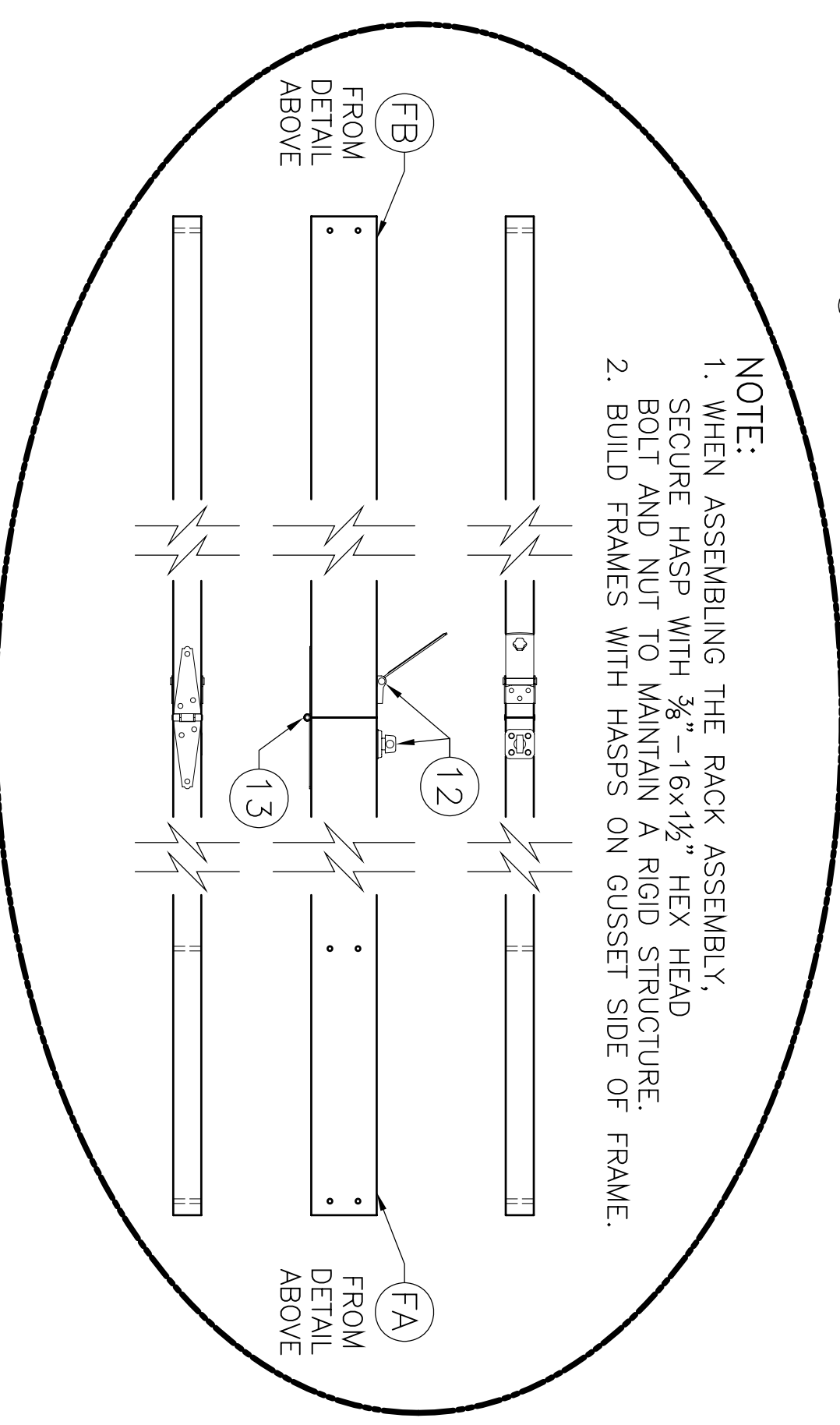
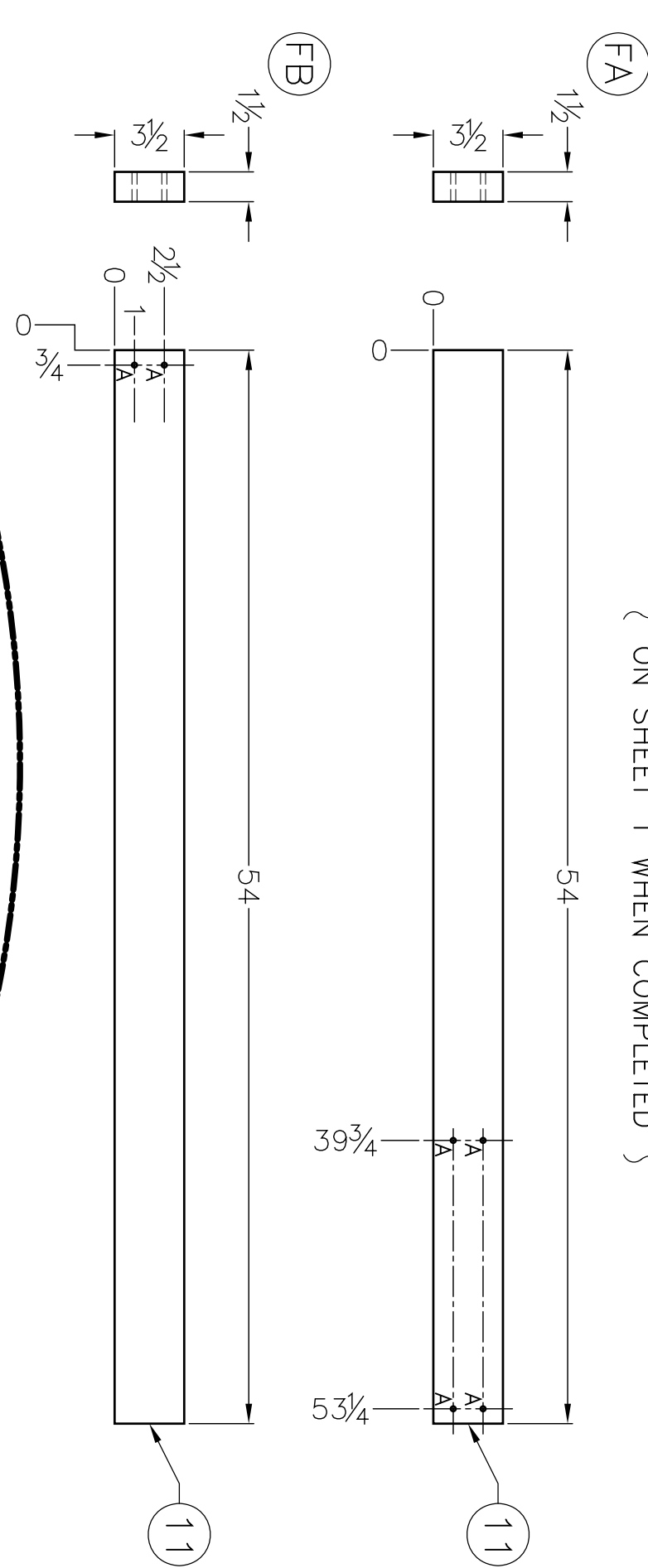
2

1



ITEM	QTY.	DESCRIPTION	VENDOR	REMARKS
1	1	MOUNTING PLATE		T01-0001(1)-K
2	1	FULL FRAME PLATE		T01-0001(1)-D
3	2	HALF FRAME BASE		T01-0001(1)-E
4	2	BASE RAIL		T01-0001(1)-C
5	1	MOUNTING PLATE MOD		T01-0001(2)-KM
6	8	3/8-16x3/8" CARRIAGE BOLT		
7	8	1/4x3/8" HEX HEAD LAG BOLT		
8	11	1/4x2" HEX HEAD LAG BOLT		
9	AR	FLAT WASHER, SAE 1/4"		
10	2	SCREW, WIRE EYE, 7/32x1/4" THD.	McMaster	9496T22
11	AR	2"x4" SPF LUMBER		
12	1	HASP, 4 1/2" STANLEY LIFESPAN	Home Depot	81-1910
13	1	HINGE, 4" STANLEY STRAPHINGE	Home Depot	14-1270

THESE PARTS BECOME PART (F) ON SHEET 1 WHEN COMPLETED



NOTE:  
1. WHEN ASSEMBLING THE RACK ASSEMBLY, SECURE HASP WITH 3/8" - 16x1/2" HEX HEAD BOLT AND NUT TO MAINTAIN A RIGID STRUCTURE.  
2. BUILD FRAMES WITH HASPS ON GUSSET SIDE OF FRAME.

**FIRST**  
200 Bedford Street, Manchester, N.H. 03101  
(603) 666-3906 • FAX (603) 666-3907

ENGINEER	DATE	TITLE	DRAWING NO.
JRR	11/06	2007 WOOD FIELD ELEMENTS RACK FAB / ASS'Y	T07-0001
CHECKED	DATE	DATE	ISSUED
APPROVED	DATE	SCALE	NA

8

7

6

5

4

3

2

1

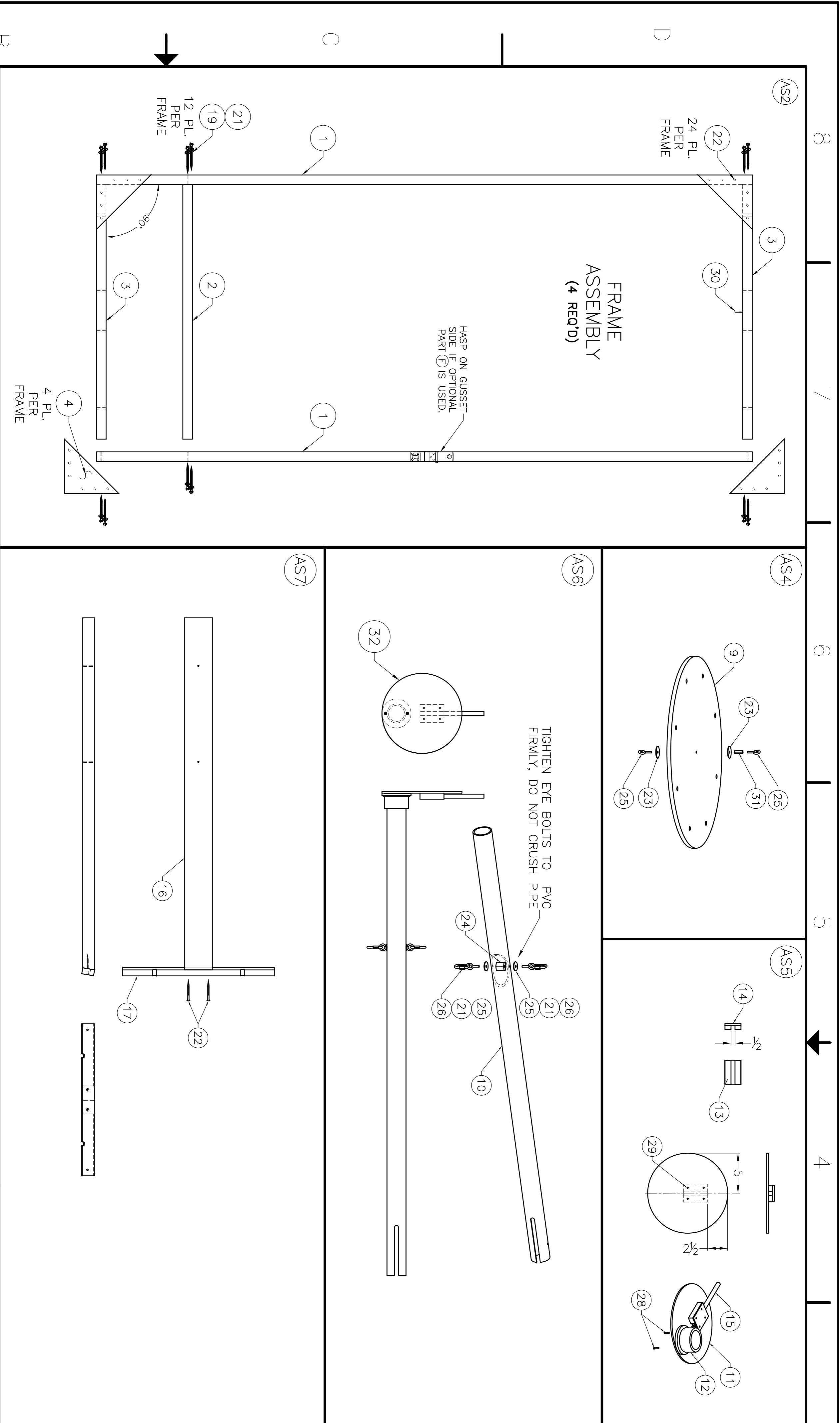
ZONE	REV	DESCRIPTION	REVISIONS	DATE	APPROVED
1	1	ADDED PART FILE AND ASSOCIATED ITEMS		12/07/08	

A

B

C

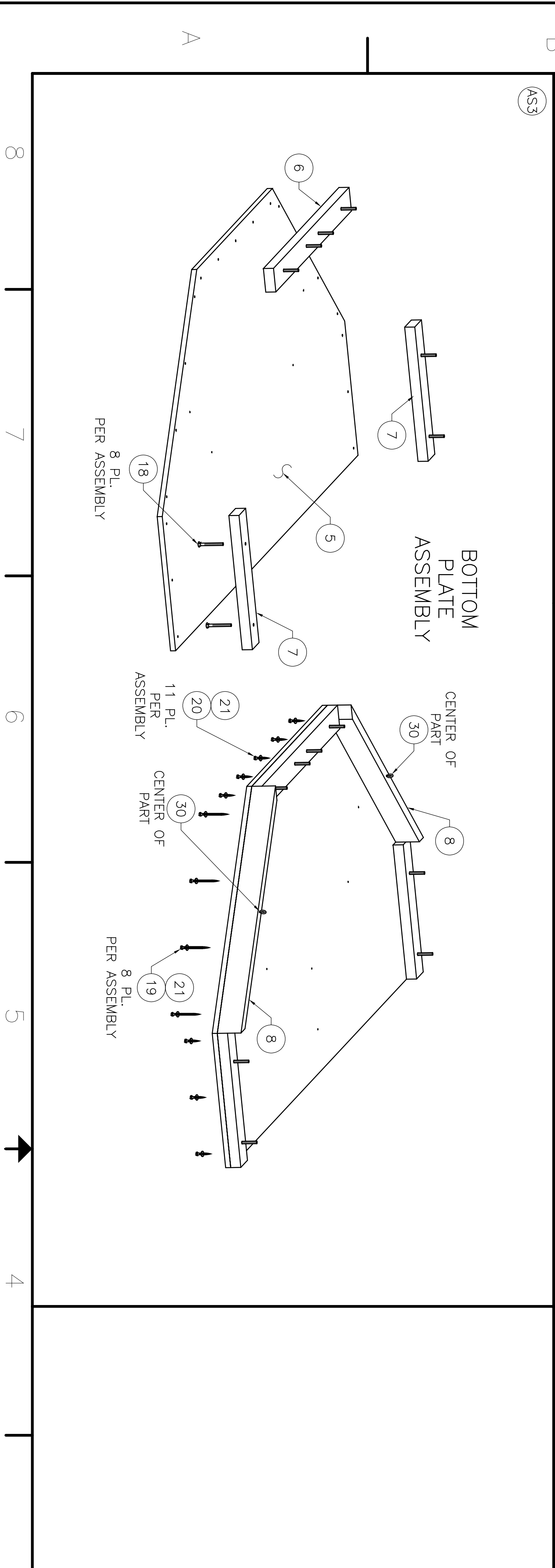
D



ZONE	REV.	DESCRIPTION	REVISIONS	DATE	APPROVED
1				12/09/08	
2		CORRECTED MATERIAL IN PARTS LIST, FIELD SIZE FOR OPTIONAL FRAME SIZES CHANGED ASSEMBLY AS7 REVAL. ITEM NUMBER FM 27 TO 22		12/16/08	

ITEM	QTY.	DESCRIPTION	VENDOR	REMARKS
1	2	FRAME SIDE		T07-0001-F
2	1	FRAME BRACE		T07-0001-G
3	2	FRAME TOP/BOTTOM		T07-0001-H
4	4	GUSSET		T07-0001-J
5	1	MOUNTING PLATE		T07-0001-K
6	1	FULL FRAME BASE		T07-0001-D
7	2	HALF FRAME BASE		T07-0001-E
8	2	BASE RAIL		T07-0001-C
9	1	PEG MOUNTING DISK		T07-0001-L
10	1	PEG		T07-0001-M
11	1	PEG END PLATE		T07-0001-N
12	1	PEG PLATE MOUNT		T07-0001-P
13	2	STINGER CHANNEL SPACER		T07-0001-R
14	1	STINGER CHANNEL PLATE		T07-0001-S
15	1	STINGER		T07-0001-T
16	1	LIGHT ARM		T07-0001-B
17	1	LIGHT MOUNT		T07-0001-V
18	8	3/8"-16x3/4" CARRIAGE BOLT		-
19	8	1/4"x3/8" HEX HEAD LAG BOLT		-
20	11	1/2"x2" HEX HEAD LAG BOLT		-
21	AR	FLAT WASHER, SAE 1/2"		-
22	AR	SCREW, #10x3" DECKING		-
23	2	FLAT WASHER, 1/2" FENDER		-
24	1	COUPLING NUT, 1/4"-20x1 1/2"		-
25	4	EYE BOLT, 1/4"-20 x 1" THD.		-
26	2	THREADED CHAIN CONNECTOR	McMaster	8947715
27	AR	#10x2" DECKING SCREWS		-
28	2	SCREW, 1/4"-20 x 1" FLAT HEAD		-
29	4	SCREW, #8x4" WOOD		-
30	2	SCREW, WIRE EYE, 1/2"x3/4" THD.	McMaster	9456722
31	1	COUPLING NUT, 1/4"-20x7/8"		-
32	1	PEG END PLATE ASSEMBLY		T07-0002-AS5



ENGINEER	DATE	TITLE
DRAWN	DATE	
CHECKED	DATE	
APPROVED	DATE	
ISSUED	DATE	

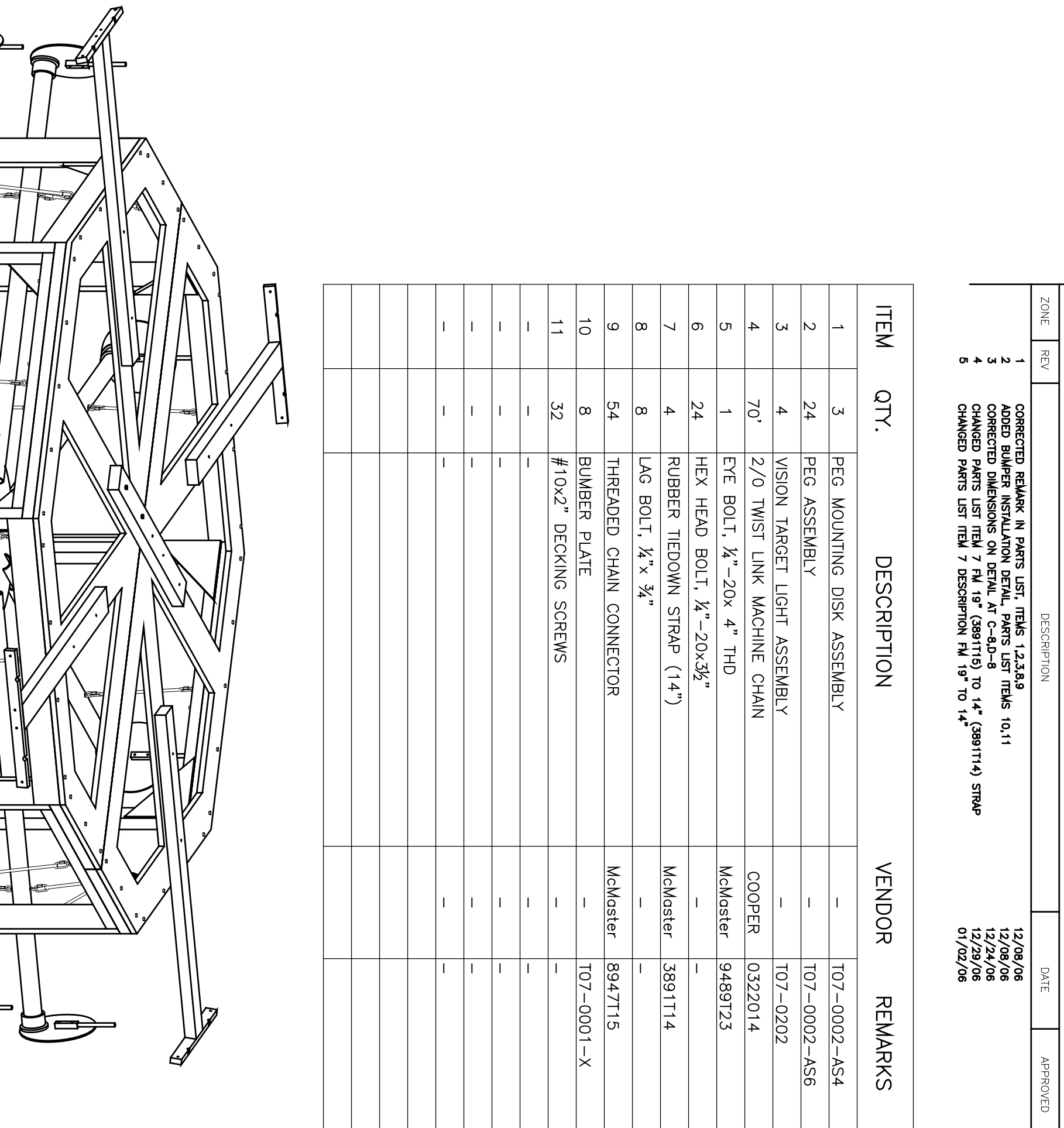
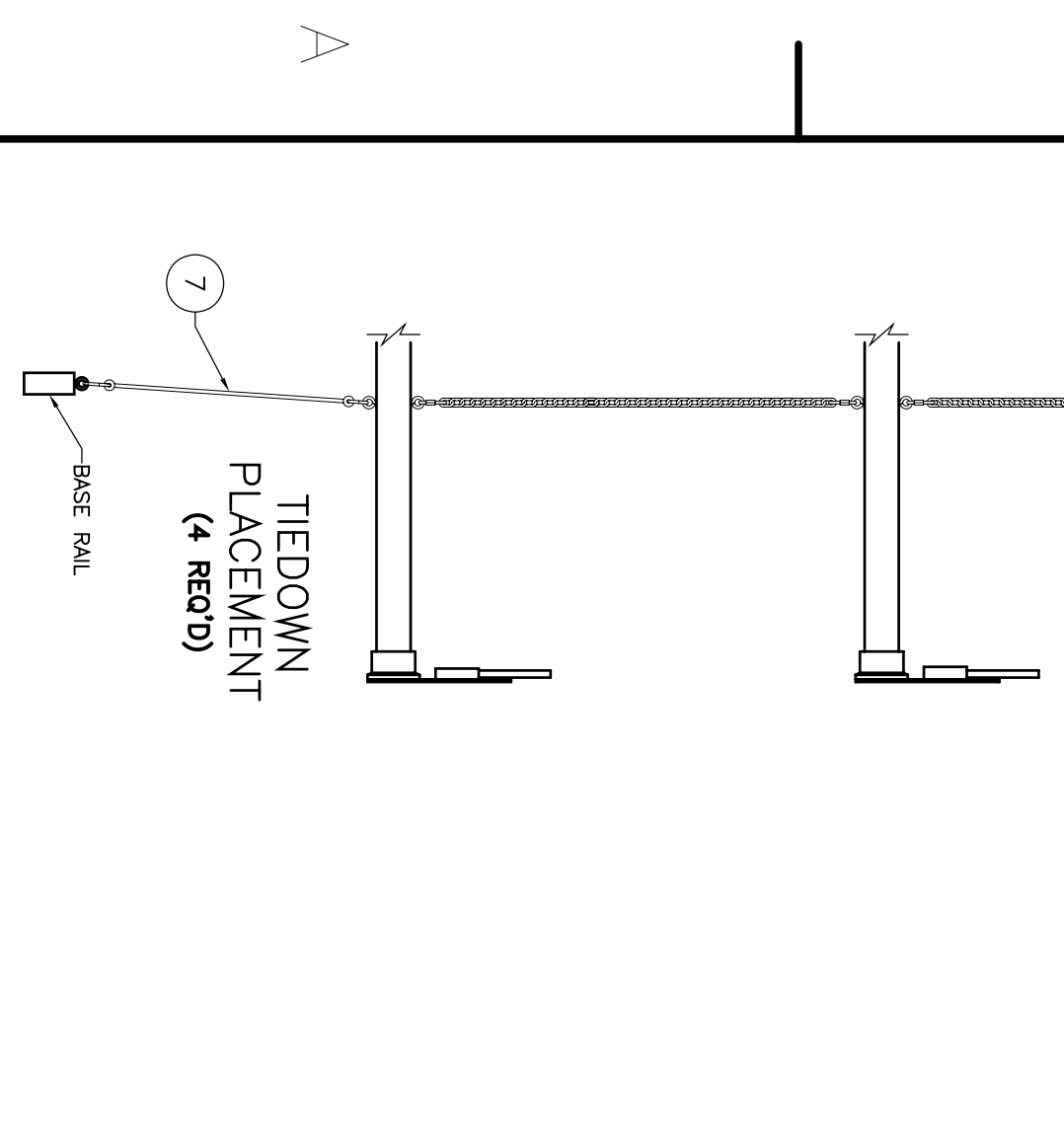
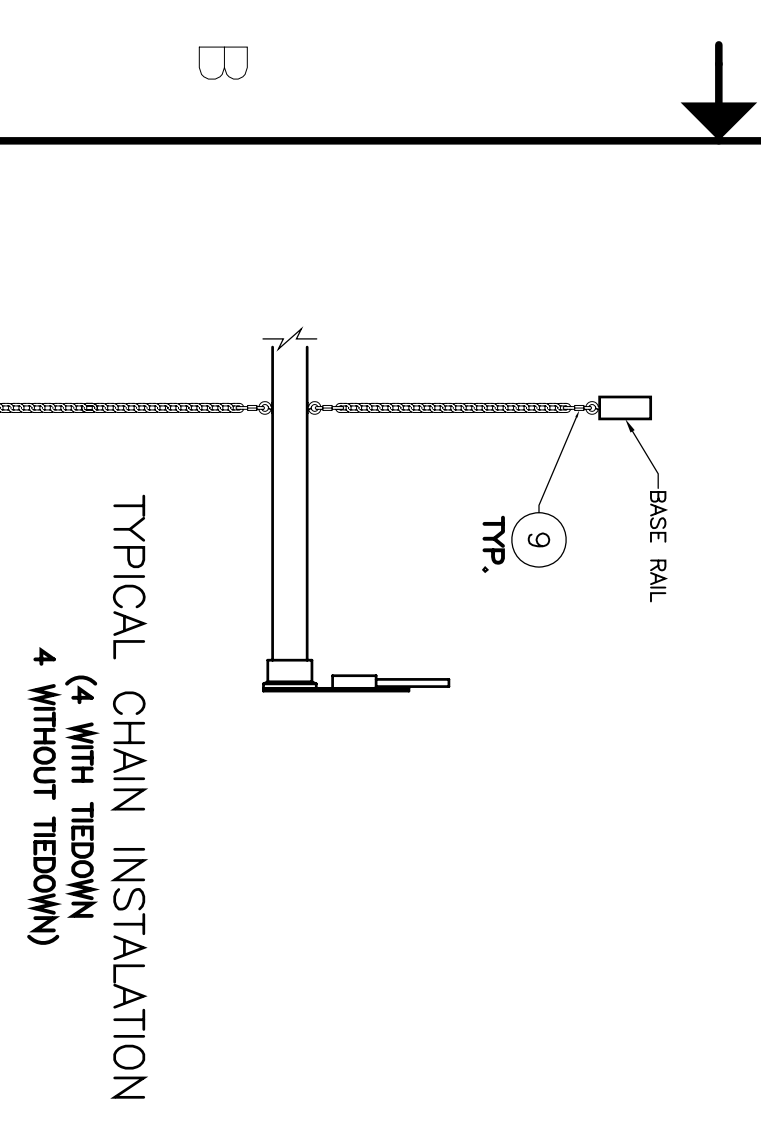
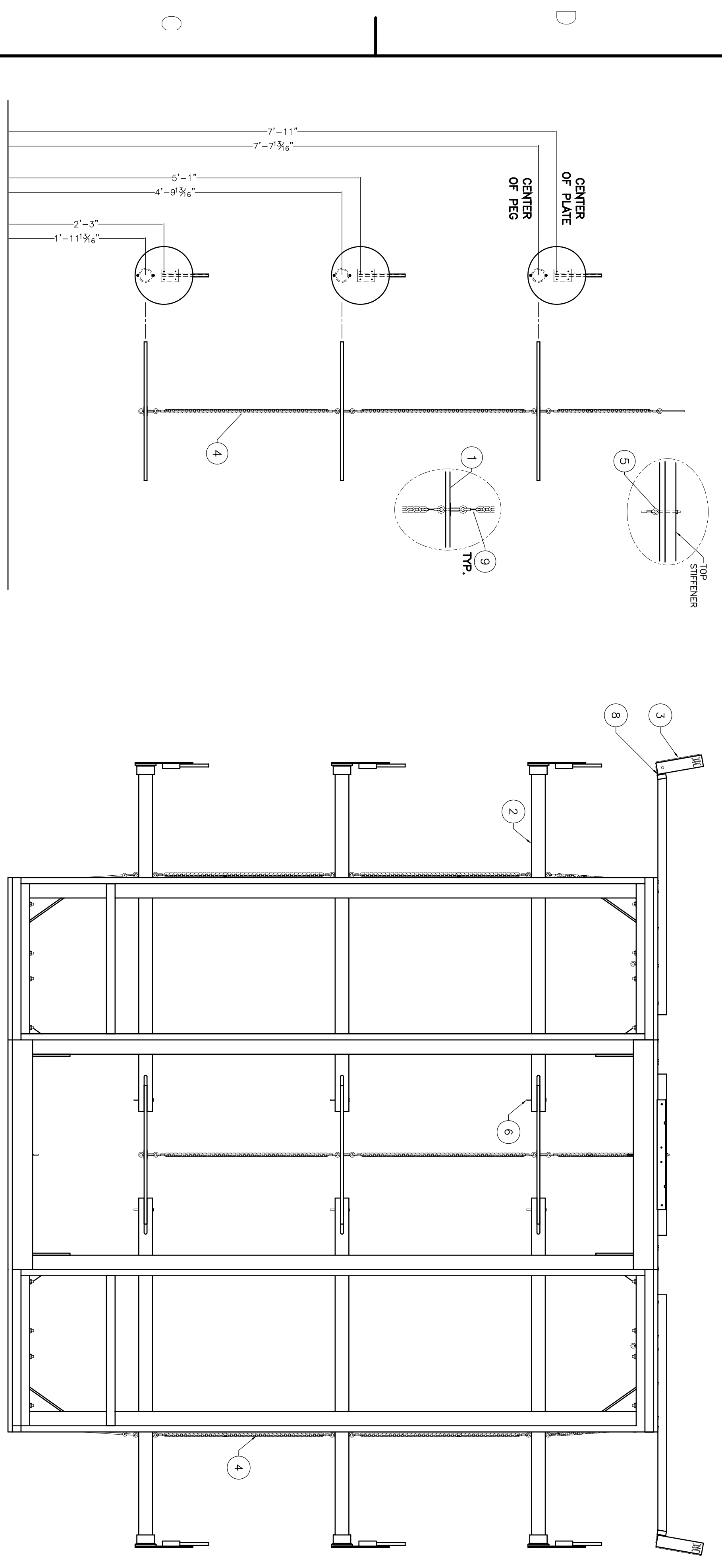
2007 WOOD FIELD ELEMENTS RACK SUB-ASSEMBLY	DRAWING NO.	T07-0002
200 Bedford Street, Manchester, N.H. 03101	SCALE	NA
(603) 666-3906 • FAX (603) 666-3907		

<b>FIRST</b>	SHEET	1 of 1
12/09/08		
11/06		



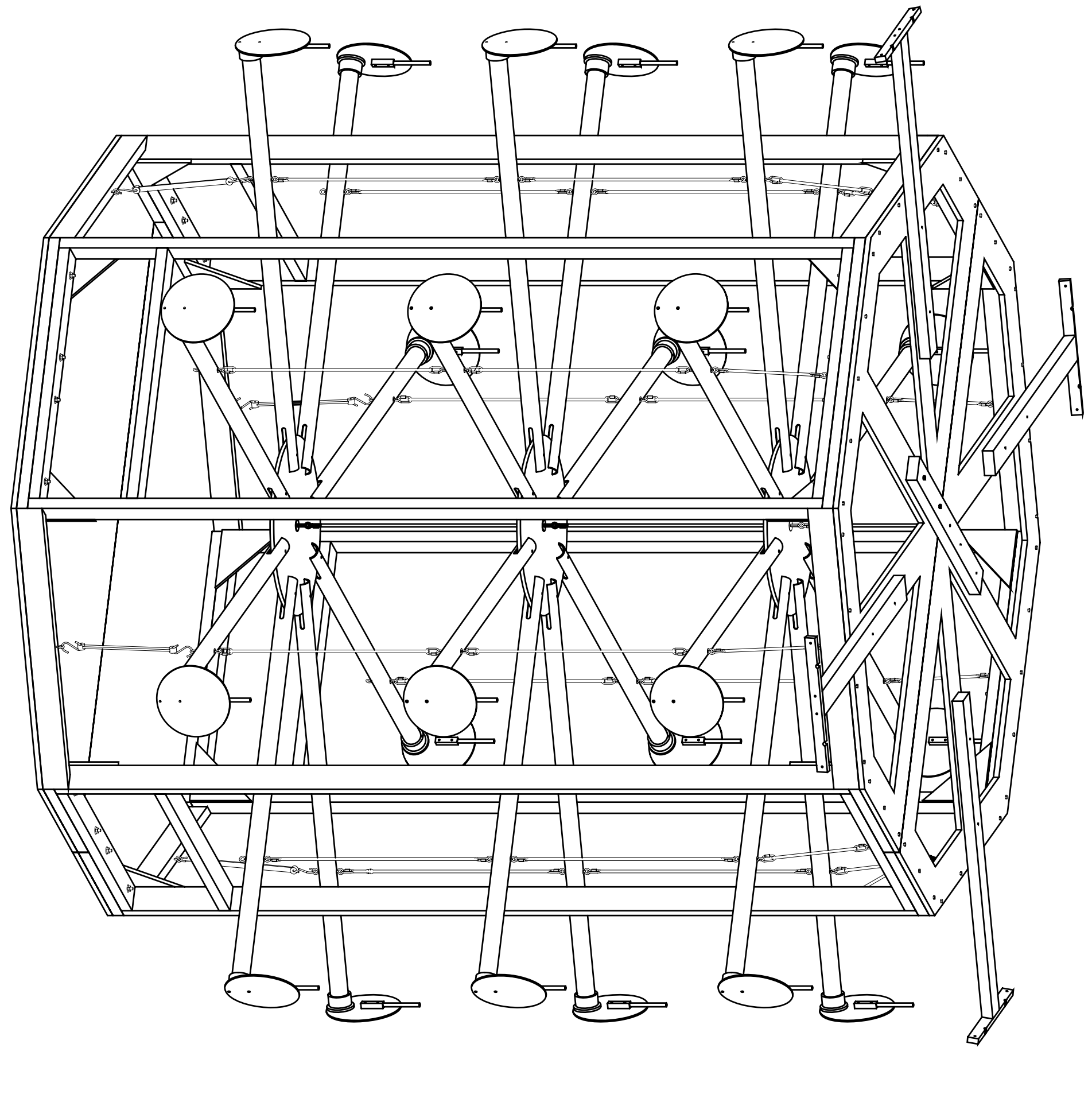
8 7 6 5 4 3 2 1



ZONE	REV	DESCRIPTION	REVISIONS	DATE	APPROVED
1		CORRECTED DIMENSIONS IN PARTS LIST, TABLE 12.23.08		12/29/08	
2		CORRECTED DIMENSIONS IN PARTS LIST, TABLE 10.11		12/29/08	
3		CORRECTED DIMENSIONS ON DETAIL AT C-8-D-8		12/29/08	
4		CHANGED PARTS LIST FIELD 7 IN 19" (3891119) TO 14" (3891114) STRAP		07/02/08	
5		CHANGED PARTS LIST FIELD 7 DESCRIPTION IN 19" TO 14"			

ITEM	QTY.	DESCRIPTION	VENDOR	REMARKS
1	3	PEG MOUNTING DISK ASSEMBLY		T07-0002-AS4
2	24	PEG ASSEMBLY		T07-0002-AS6
3	4	VISION TARGET LIGHT ASSEMBLY		T07-0202
4	70	2/0 TWIST LINK MACHINE CHAIN	COOPER	0322014
5	1	EYE BOLT, 1/2"-20x 4" THD	McMaster	9489123
6	24	HEX HEAD BOLT, 1/2"-20x3 1/2"		
7	4	RUBBER TIEDOWN STRAP (14")	McMaster	3891114
8	8	LAG BOLT, 1/2" x 3/4"		
9	54	THREADED CHAIN CONNECTOR	McMaster	8947115
10	8	BUMPER PLATE		T07-0001-X
11	32	#10x2" DECKING SCREWS		

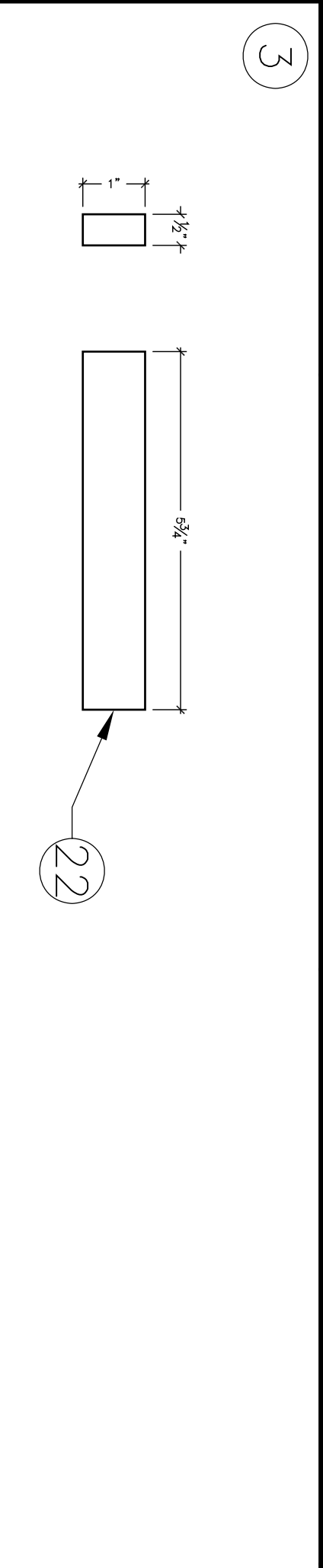


**FIRST**  
 200 Bedford Street, Manchester, N.H. 03101  
 (603) 666-3906 • FAX (603) 666-3907

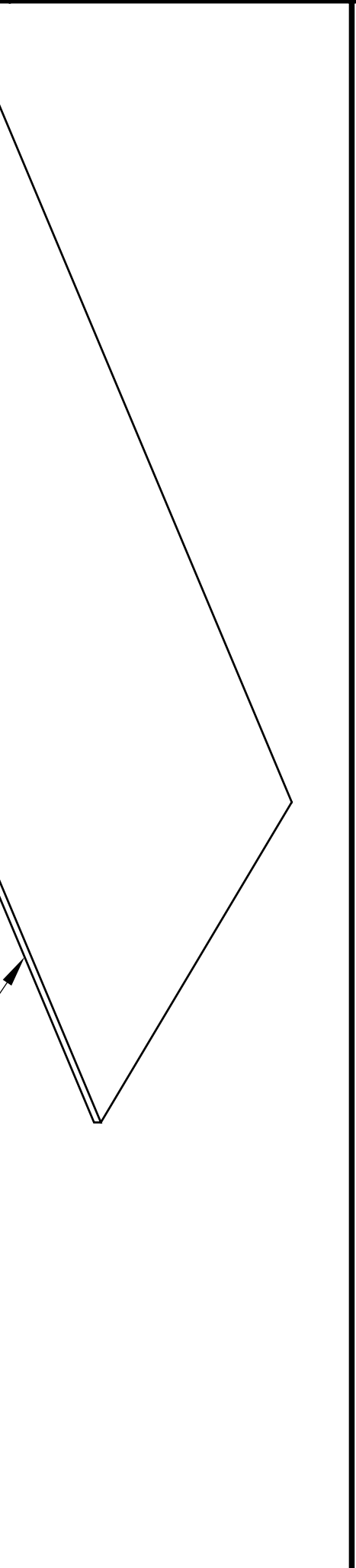
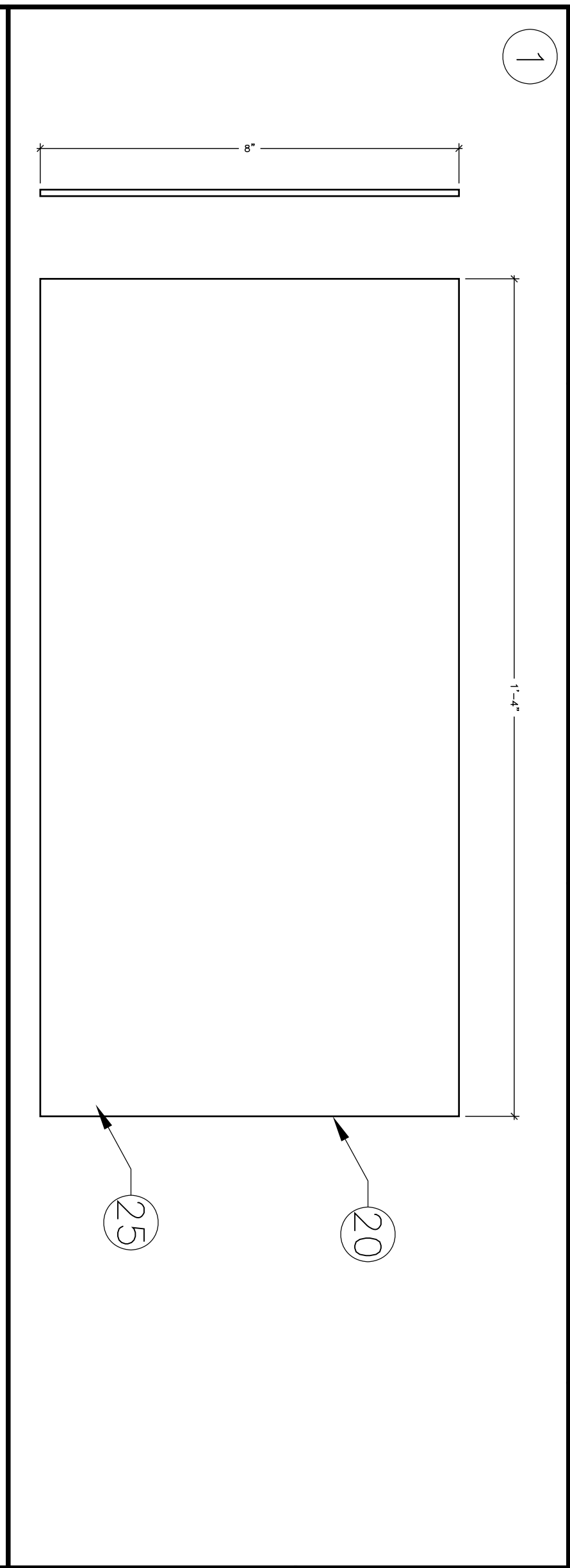
ENGINEER: \_\_\_\_\_ DATE: \_\_\_\_\_ TITLE: \_\_\_\_\_  
 DRAWN: JRR DATE: 11/06  
 CHECKED: \_\_\_\_\_ DATE: \_\_\_\_\_  
 APPROVED: \_\_\_\_\_ DATE: \_\_\_\_\_  
 ISSUED: \_\_\_\_\_ DATE: \_\_\_\_\_

**2007 WOOD FIELD ELEMENTS RACK ASSEMBLY**

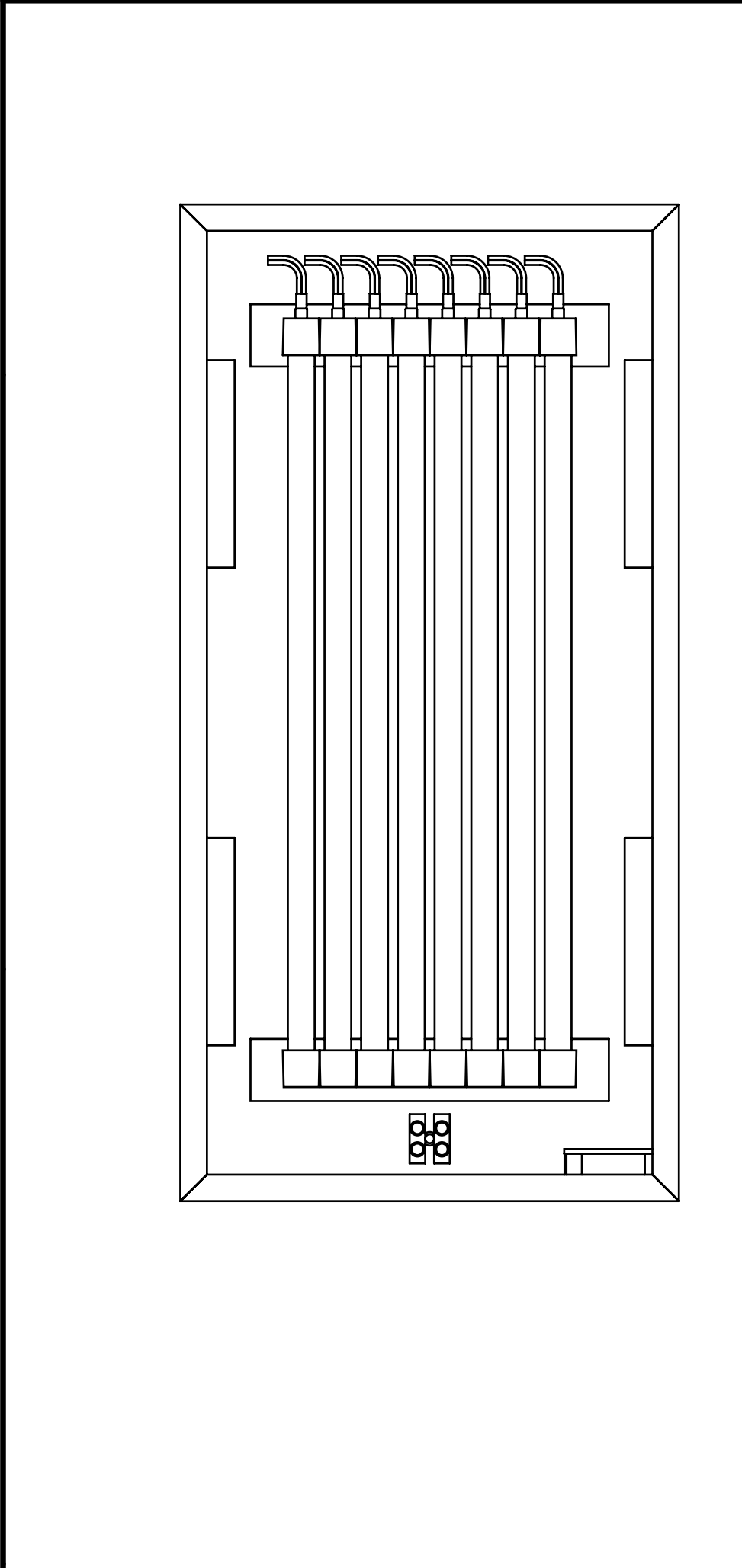
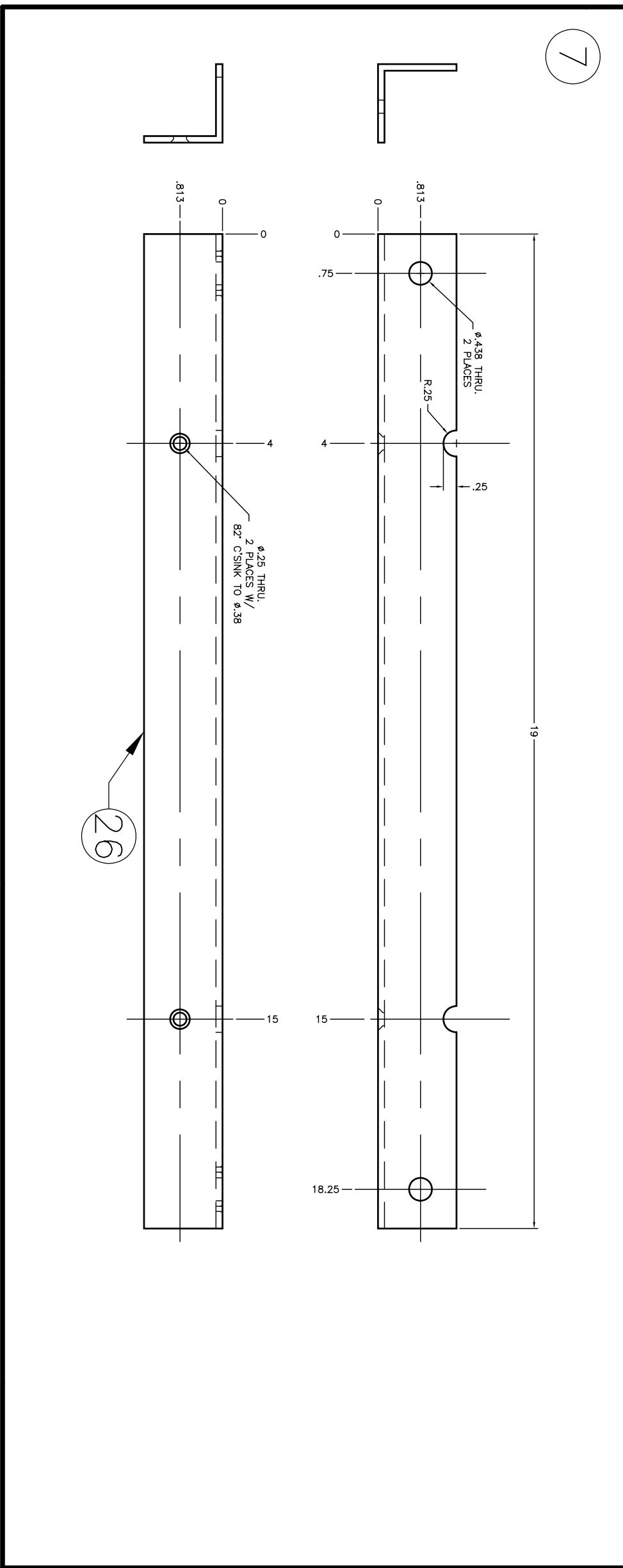
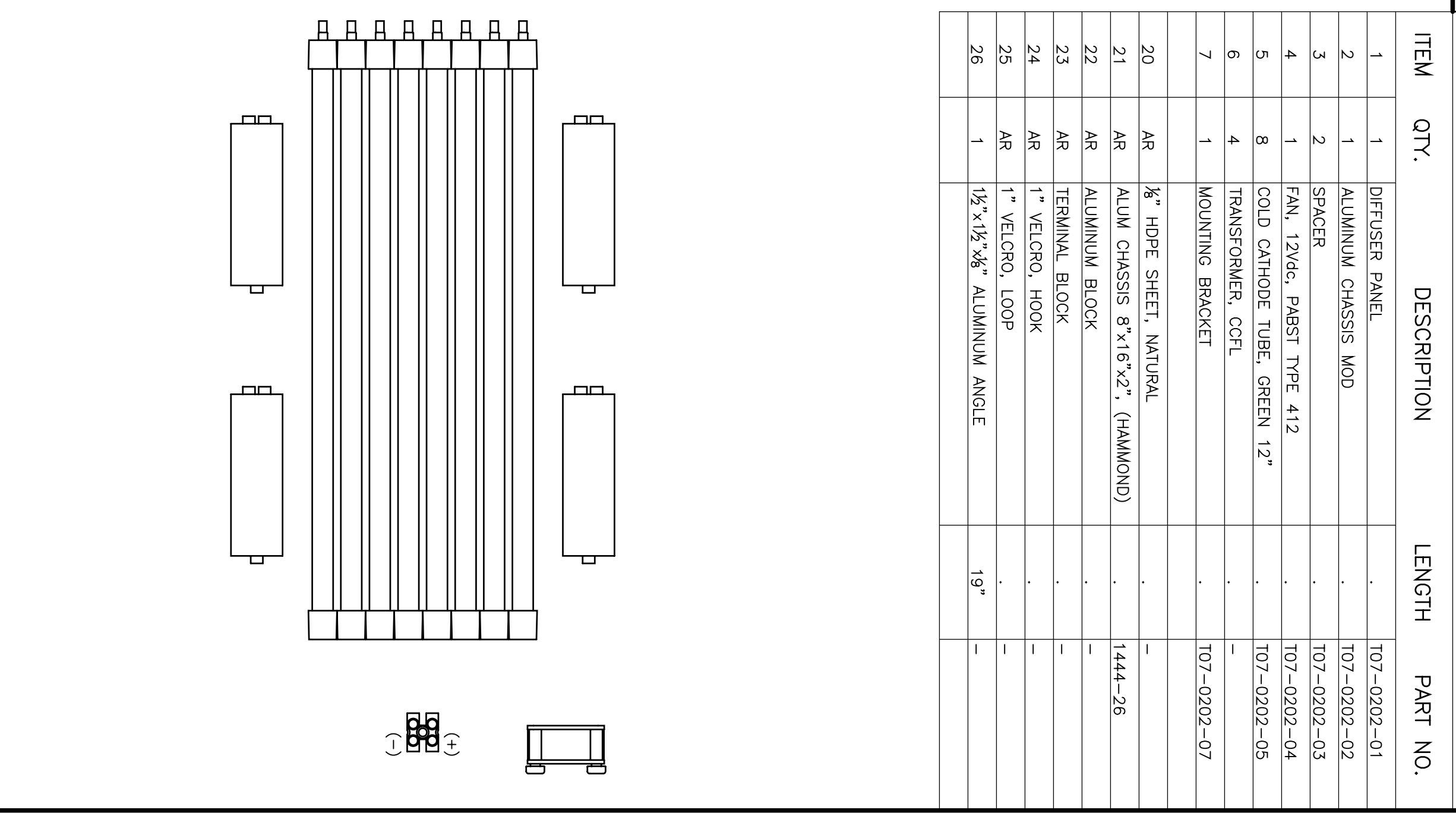
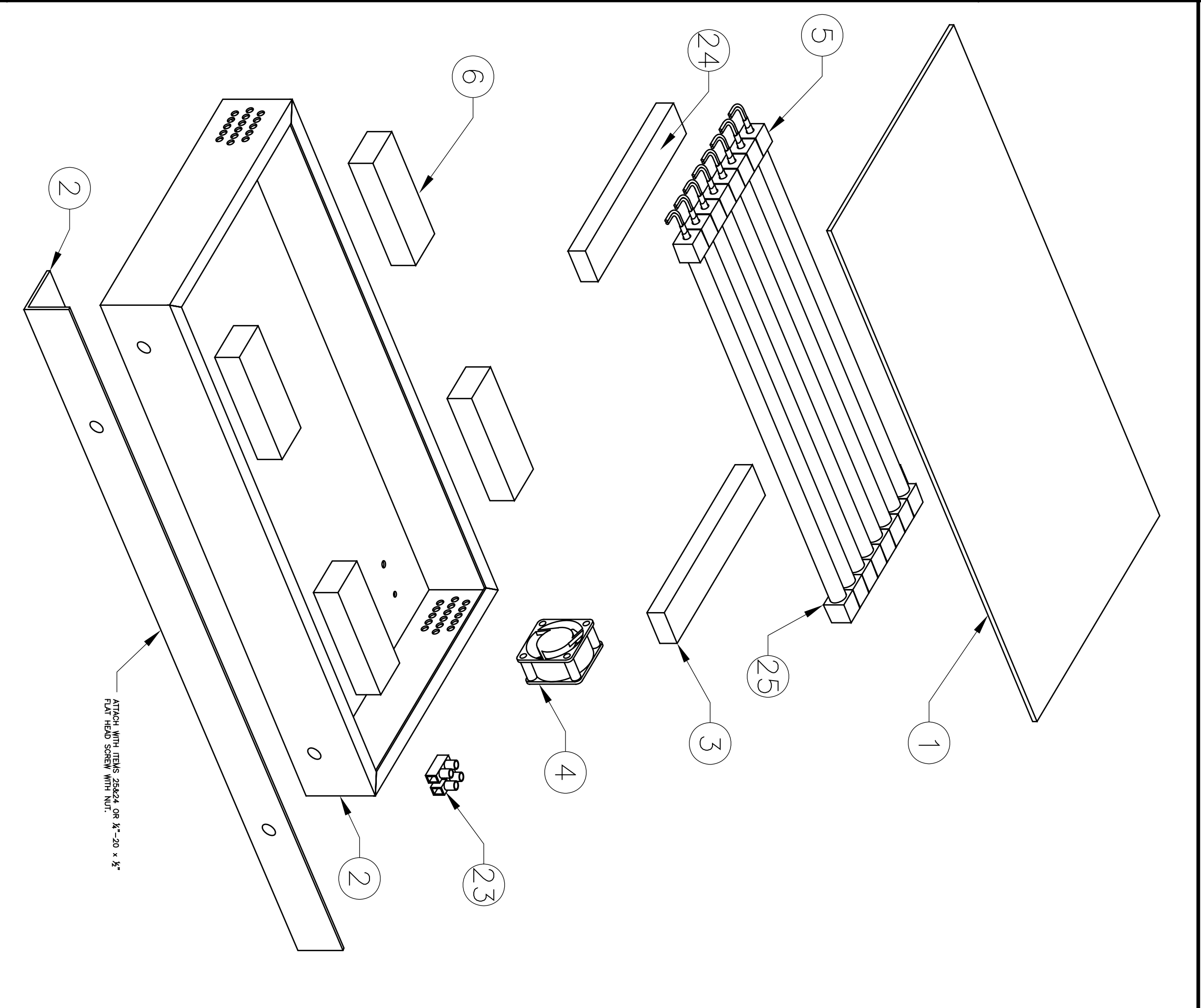
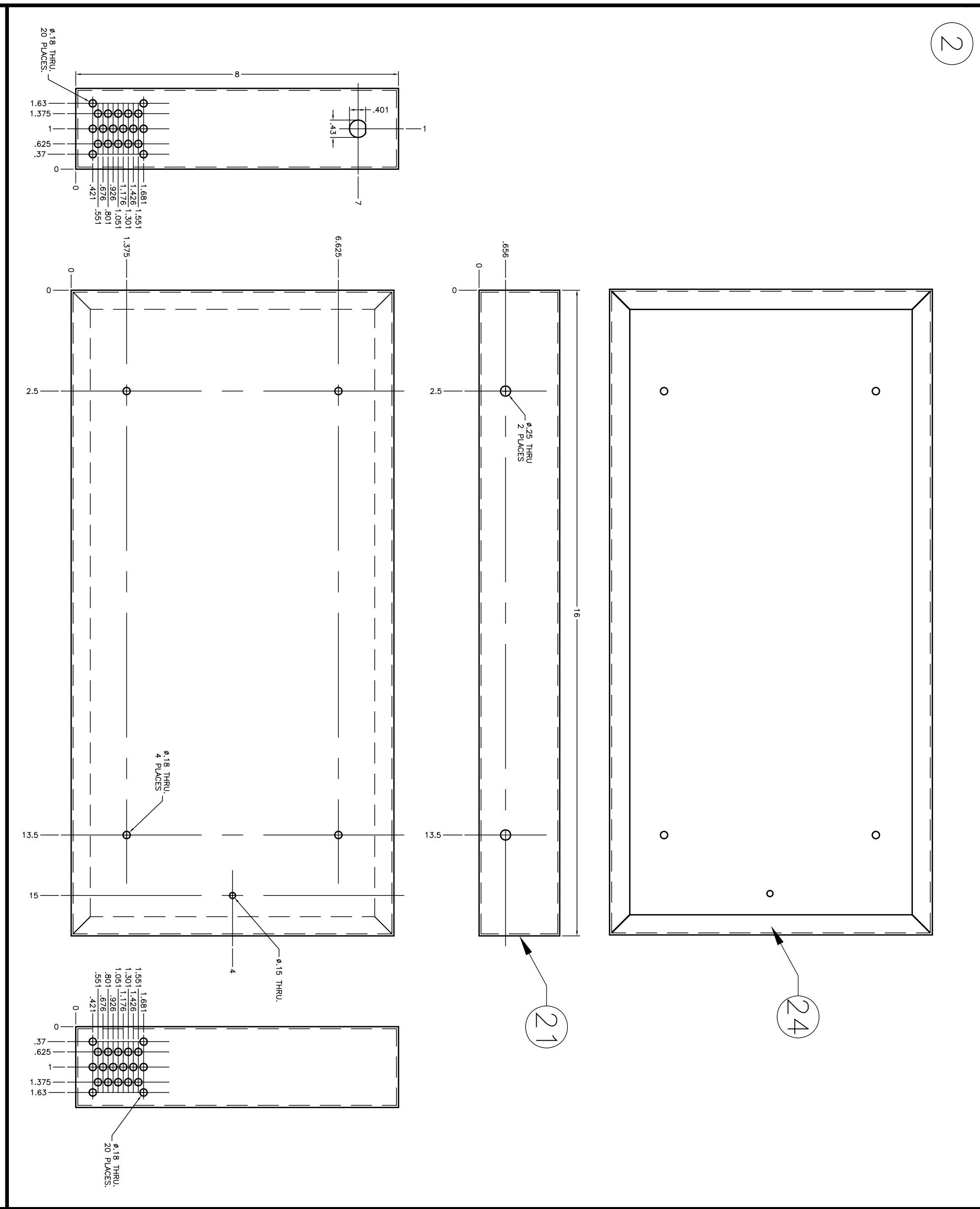
DRAWING NO.: T07-0003  
 SCALE: NA  
 SHEET 2 of 2



ZONE	REV	DESCRIPTION	DATE	APPROVED
1	1	CHANGED FIELD 22 MATERIAL FROM WOOD TO ALUMINUM	12/12/08	
	1	ADDED MOUNTING BRACKET AND WIRING DETAIL	12/07/08	



ITEM	QTY.	DESCRIPTION	LENGTH	PART NO.
1	1	DIFFUSER PANEL	.	T07-0202-01
2	1	ALUMINUM CHASSIS MOD	.	T07-0202-02
3	2	SPACER	.	T07-0202-03
4	1	FAN, 12Vdc, PABST TYPE 412	.	T07-0202-04
5	8	COLD CATHODE TUBE, GREEN 12"	.	T07-0202-05
6	4	TRANSFORMER, CCTFL	.	-
7	1	MOUNTING BRACKET	.	T07-0202-07
20	AR	1/8" HDPE SHEET, NATURAL	.	-
21	AR	ALUM CHASSIS, 8"x16"x2", (HAMMOND)	.	1444-26
22	AR	ALUMINUM BLOCK	.	-
23	AR	TERMINAL BLOCK	.	-
24	AR	1" VELCRO, HOOK	.	-
25	AR	1" VELCRO, LOOP	.	-
26	1	1 1/2"x1 1/2"x3/8" ALUMINUM ANGLE	19"	-



**NOTE:**  
ALL PARTS EXCEPT THE FAN MAY BE MOUNTED USING VELCRO AS A FASTENER.  
THE COLD CATHODE TUBES COME SUPPLIED WITH VELCRO TYPE FASTENERS.  
THE FAN MAY BE MOUNTED USING 10-32x3/8" PAN HEAD SCREWS THREADED INTO THE FAN MOUNTING HOLES.

REV	FROM	BY	DATE	TITLE
2	CHGD FOR 2007	JBR	12/06	
1	FIELD	JBR	12/05	

TOLERANCE: PERPENDICULAR WITHIN .005 INCHES  
FINISH: PARALLEL  
FRAC: 1/32 FLAT OR STRAIGHT  
DIM: .001 RADIUS, 1/4 SCALE  
HOLE: 1/4  
SIZE: D

**FIRST**  
200 Field Target  
Fabrication & Assembly  
200 Bedford Street, Manchester, N.H. 03101  
(603) 666-3906 • FAX (603) 666-3907

DATE: 12/09/05  
SCALE: NA  
CHECKED: [ ]  
DATE: [ ]  
SHEET NO: 1