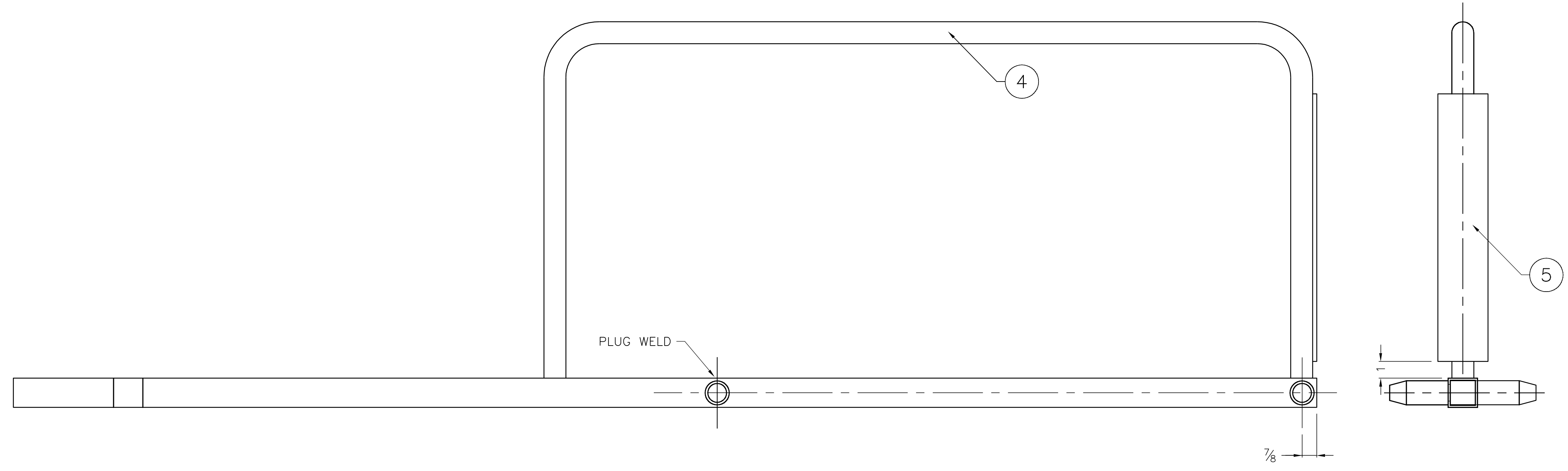
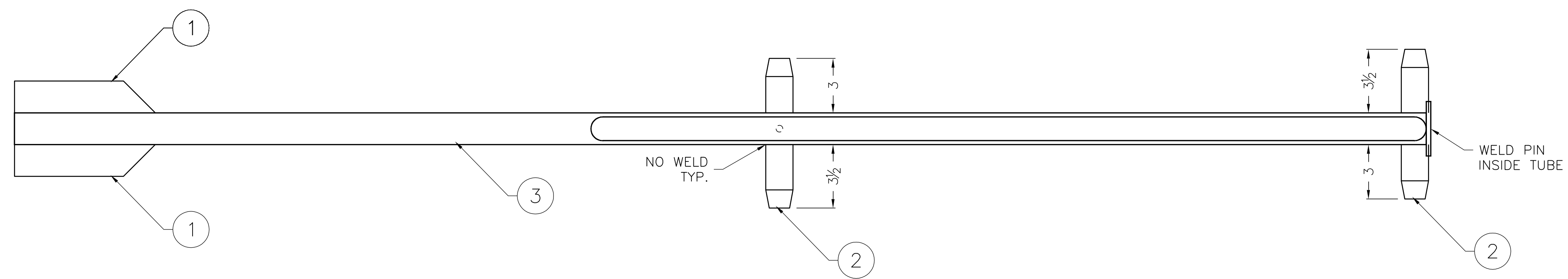


REVISIONS				
ZONE	REV	DESCRIPTION	DATE	APPROVED
2	PER MARK-UPS		5/30/06	--

ITEM	QTY.	DESCRIPTION	LENGTH	PART NO.
1	2	CONNECTOR TUBE	.	F05-0003-01
2	2	CONNECTOR SHAFT	.	F05-0003-02
3	1	SUPPORT COLUMN	.	F05-0003-03
4	1	SUPPORT RAIL	.	F05-0003-04
5	1	STOP PLATE	.	F05-0003-05
.	.	.	.	--
.	.	.	.	--



NOTE:
REMOVE ALL SHARP EDGES.

FIRST 200 Bedford Street, Manchester, N.H. 03101 (603) 666-3906 • FAX (603) 666-3907		TITLE DRIVERS STA. SUPPORT ASSEMBLY		MATERIAL AS NOTED	
REV. 2 PER MARK-UPS JR 5/06	REV. 1 PER MARK-UPS JR 1/5	FROM BY DATE	DRAWN BY JRR	DATE 09/28/04	SCALE 1:4
UNLESS OTHERWISE SPECIFIED TOLERANCE PERPENDICULAR WITHIN NOTES PARALLEL FRAC. 1/32 FLAT OR STRAIGHT .00 CONCENTRIC T.I.R. .000 RADIUS .015 SURFACE FINISH .0000 HOLES .010 FSCM			CHECKED DATE	SIZE D	SHEET NO. 1
No. F05-0004					